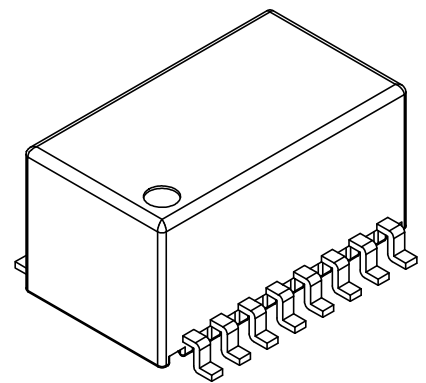


DRAWING:	MATERIAL:	ORIGIN:
SB-029-1	PM9630	DG



B-054.001L(B-054)

B-054.002P(B-054)

REV.	REVISIONS	REC.	REV.	REVISIONS	REC.
1	CANCEL (F); UPDATE DRAWING				

DRAWN & DRAFTED BY WANG CHENG	TOLERANCES		ANGLE:	TITLE:	
	0<L≤4 ±0.1	COPLANARITY 0.1 MAX	±1°	SMD HEADER 11.5X6.35X5.7	
CHECKED & APPROVED BY JOHN GONG	4<L≤16 ±0.2		UNIT:	BOBBIN MATERIAL:	UL REC.
	16<L≤63 ±0.3		MM	LCP E4008	UL 94V-0
PIN SHINE INDUSTRIAL CO., LTD. TEL:886-2-22990545 FAX:886-2-22990546			ORIGIN:	PIN MATERIAL:	PIN TENSION LOAD:
			DG	PHOSPHOR BRONZE	1.0KG MIN
			DATE:	DRAWING NO.	REV.
			APR.08 '2003	SB-029	1