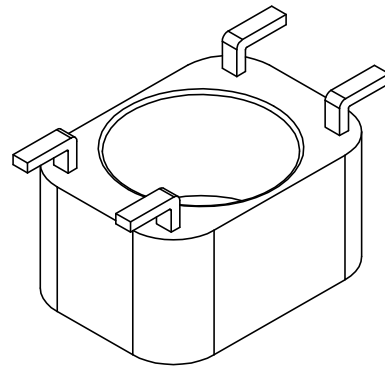
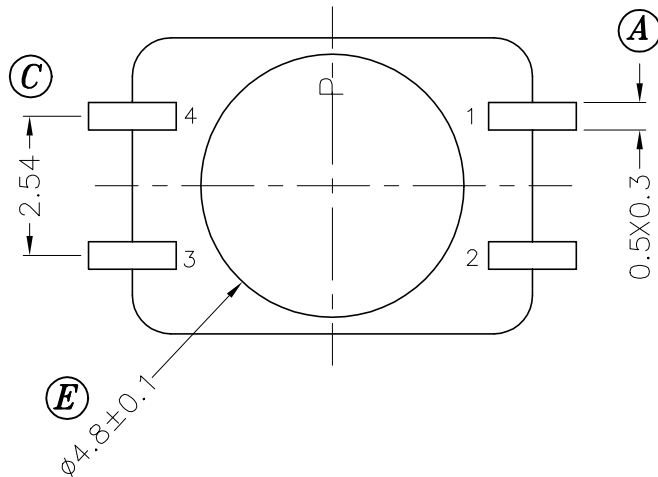
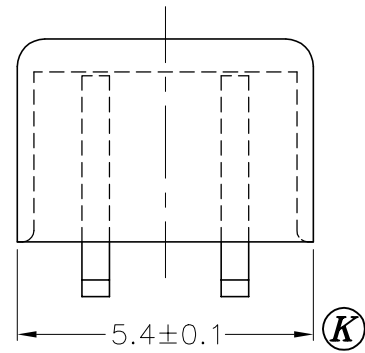


SEC. A-A



REV.	REVISIONS	REC.	REV.	REVISIONS	REC.
1	CANCEL (B); CHANGE (B1)-->(B); UPDATE DRAWING				

DRAWN & DRAFTED BY ZHANG ZHI QIANG	TOLERANCES		ANGLE: ±1°	TITLE: SMD HEADER 7.3X5.4X4.7	
	0<L≤4 ±0.1	COPLANARITY 0.1 MAX	UNIT: MM	BOBBIN MATERIAL: DAP AM113	UL REC. UL 94V-0
CHECKED & APPROVED BY JOHN RONG	4<L≤16 ±0.2		ORIGIN: DG SZ	PIN MATERIAL: PHOSPHOR BRONZE	PIN TENSION LOAD: 1.0KG MIN
TEL:886-2-22990545		FAX:886-2-22990546	DATE: APR.08 '2003	DRAWING NO. SB-045	REV. 1



PIN SHINE INDUSTRIAL CO.,LTD.