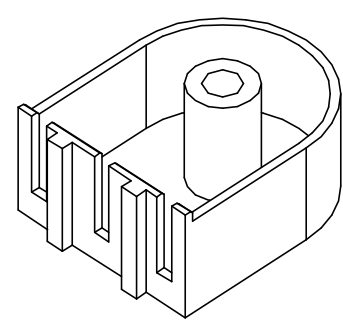
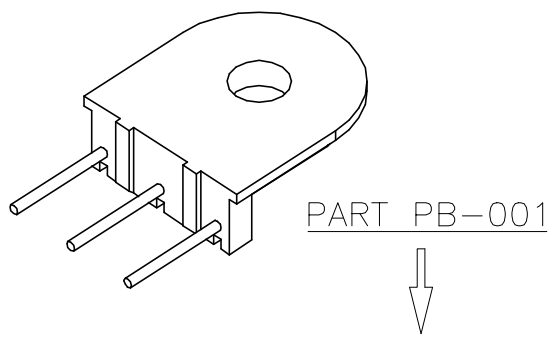
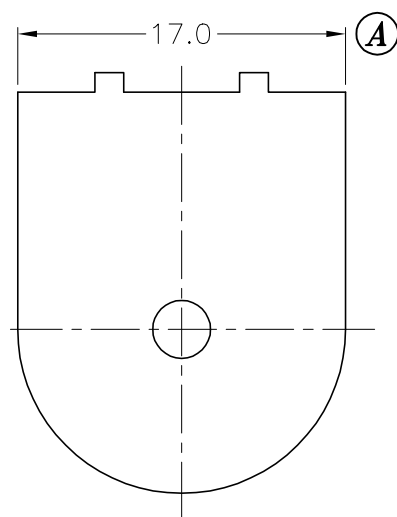
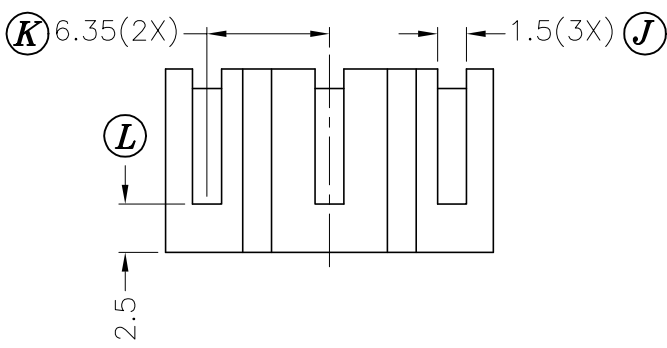


SEC. A-A



REV.	REVISIONS	REC.	REV.	REVISIONS	REC.
1	MATERIAL MODIFY: PBT 4130 CHANGE TO PET T102G30				

DRAWN & DRAFTED BY WNCH HSIANG	TOLERANCES		ANGLE:	TITLE:	
	0<L≤4 ±0.1	pin pitch	±1°	COVER 21.8X17X9.6	
CHECKED & APPROVED BY CHIN TE	4<L≤16 ±0.2		UNIT:	BOBBIN MATERIAL:	UL REC.
	16<L≤63 ±0.3	MM	PET T102G30	UL 94V-0	
ORIGIN: DG			PIN MATERIAL:	PIN TENSION LOAD:	
DATE: SEP.05 '1995			DRAWING NO.	REV.	
TEL: 886-2-22990545 FAX: 886-2-22990546			C-001	1	



**PIN SHINE INDUSTRIAL CO., LTD.**

TEL: 886-2-22990545 FAX: 886-2-22990546