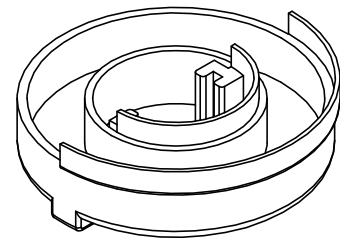
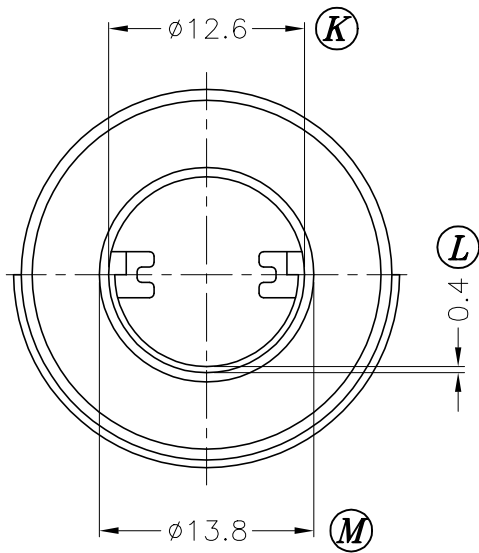
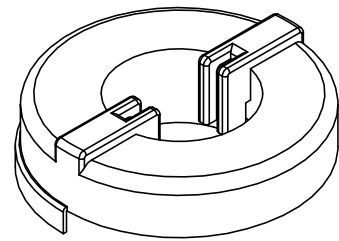
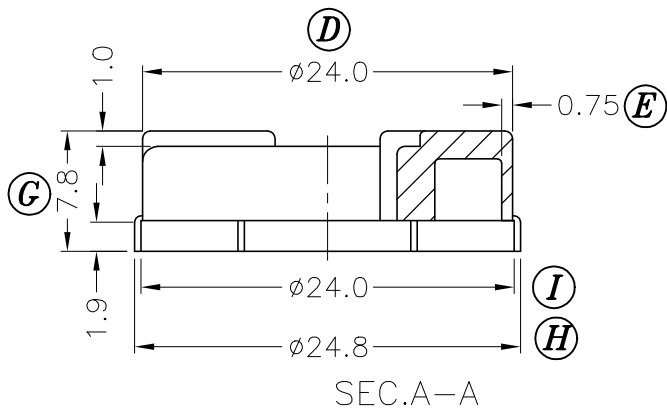


PART C-005-1



REV.	REVISIONS	REC.	REV.	REVISIONS	REC.
1	(C):6.8->7.0				
2	CANCEL (A),(F),(J); UPDATE DRAWING.				

DRAWN & DRAFTED BY DENG SHENGBIN	TOLERANCES		ANGLE:	TITLE:	
	0<L≤4 ±0.1	pin pitch	±1°	COVER T-22X14X8	
CHECKED & APPROVED BY ZHONG YU	4<L≤16 ±0.2		UNIT:	BOBBIN MATERIAL:	UL REC.
	16<L≤63 ±0.3	MM	PBT 4115	UL 94V-0	
ORIGIN: DG			PIN MATERIAL:	PIN TENSION LOAD:	
<b>PIN SHINE INDUSTRIAL CO.,LTD.</b> TEL:886-2-22990545 FAX:886-2-22990546			DATE: MAY.26 '2000	DRAWING NO. C-005-2	REV. 2