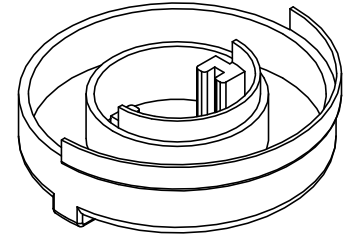
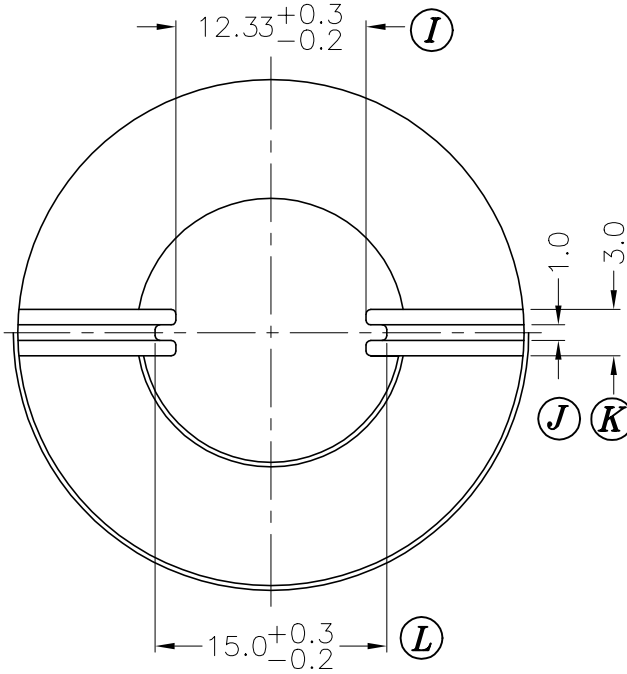
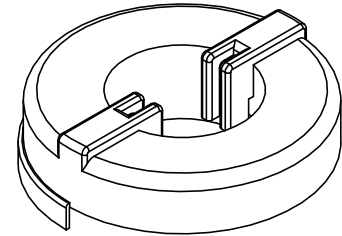
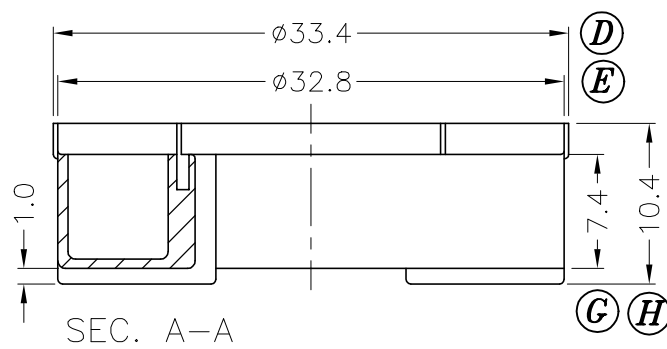


PART C-015-1



REV.	REVISIONS	REC.	REV.	REVISIONS	REC.
1	(I):12.33->12.33+0.3/-0.2	(L):15.0->15.0+0.3/-0.2			
2	CANCEL (C),(F); UPDATE DRAWING.				

DRAWN & DRAFTED BY YU ZHIHUA	TOLERANCES		ANGLE:	TITLE:	
	0<L≤4 ±0.1	pin pitch	±1°	COVER T-31X19X13	
CHECKED & APPROVED BY JOHN RONG	4<L≤16 ±0.2		UNIT:	BOBBIN MATERIAL:	UL REC.
	16<L≤63 ±0.3	MM	PBT 1403G3	UL 94V-0	
PIN SHINE INDUSTRIAL CO., LTD. TEL:886-2-22990545 FAX:886-2-22990546			ORIGIN:	PIN MATERIAL:	PIN TENSION LOAD:
			DG		
			DATE:	DRAWING NO.	REV.
			MAY.20 '2003	C-015	2