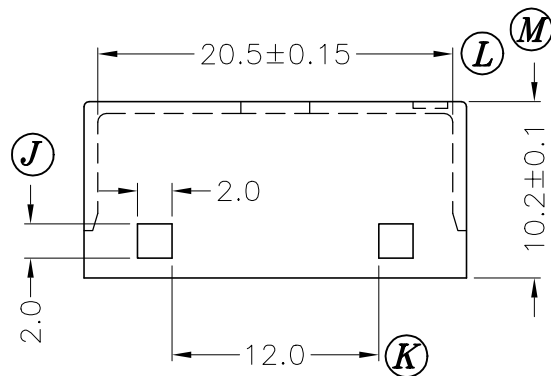
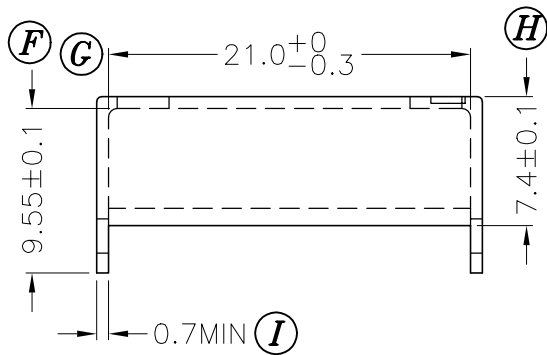


S-1905(B-071.101P)



C-071.001L

REV.	REVISIONS	REC.	REV.	REVISIONS	REC.

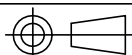
DRAWN & DRAFTED BY WANG CHENG	TOLERANCES		ANGLE:	TITLE:	
	0 < L ≤ 4 ± 0.1	pin pitch	± 1°	COVER EPC-19	
CHECKED & APPROVED BY JOHN RONG	4 < L ≤ 16 ± 0.2		UNIT:	BOBBIN MATERIAL:	UL REC.
	16 < L ≤ 63 ± 0.3		MM	LCP E4008	UL 94V-0
ORIGIN:		DG	PIN MATERIAL:	PIN TENSION LOAD:	
DATE:		JAN.30 '2002	DRAWING NO.	C-067	
TEL:886-2-22990545		FAX:886-2-22990546		REV.	0



PIN SHINE INDUSTRIAL CO., LTD.

TEL:886-2-22990545

FAX:886-2-22990546



DATE: JAN.30 '2002

DRAWING NO.

C-067

REV. 0