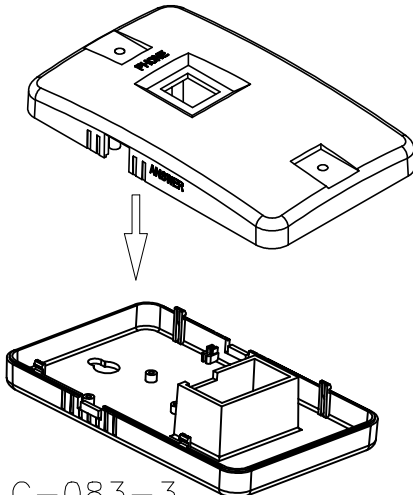


SEC.A-A

SEC.B-B



PART C-083-3

REV.	REVISIONS	REC.	REV.	REVISIONS	REC.
1	CANCEL (C),(F),(N),(G); ADD (T); UPDATE DRAWING				

DRAWN & DRAFTED BY WU FANG	TOLERANCES		ANGLE: ±1°	TITLE: PHONE-COVER-UP (2 HOLE)	
	0<L≤4 ±0.1	pin pitch	UNIT: MM	BOBBIN MATERIAL: ABS PA-757	UL REC. UL 94HB
CHECKED & APPROVED BY TIAN BAI SEN	4<L≤16 ±0.2		ORIGIN: SZ	PIN MATERIAL:	PIN TENSION LOAD:
	16<L≤63 ±0.3		DATE: APR.18 '2003	DRAWING NO. C-083-2	REV. 1



PIN SHINE INDUSTRIAL CO.,LTD.
 TEL:886-2-22990545 FAX:886-2-22990546