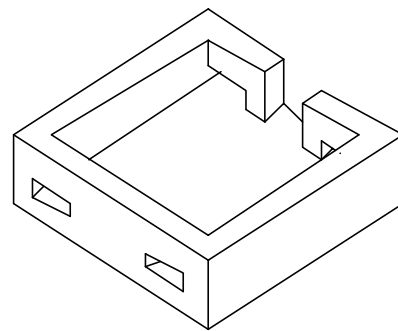
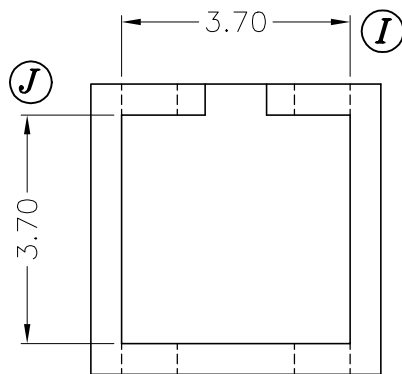
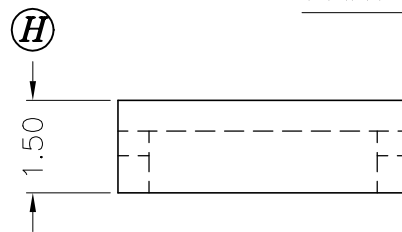
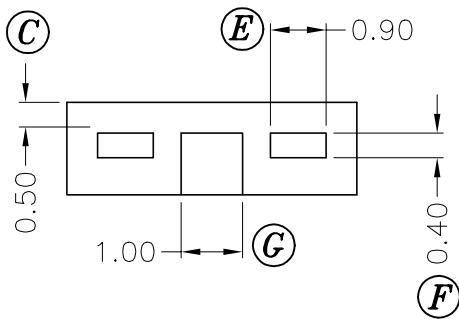


PART S-504



C-005.004L(B-005C4)

REV.	REVISIONS	REC.	REV.	REVISIONS	REC.
1	CANCEL (D); UPDATE DRAWING; DRAWING NO. S-504A-->C-103				

DRAWN & DRAFTED BY HONG JUN	TOLERANCES		ANGLE: $\pm 1^\circ$	TITLE: COVER EE-5.0	
	0 < L ≤ 4 ±0.1	pin pitch	UNIT: MM	BOBBIN MATERIAL: LCP E4008	UL REC. UL 94V-0
CHECKED & APPROVED BY JOHN RONG	4 < L ≤ 16 ±0.2		ORIGIN: DG SZ	PIN MATERIAL:	PIN TENSION LOAD:
	16 < L ≤ 63 ±0.3		DATE: APR.23 '2003	DRAWING NO. C-103	REV. 1



PIN SHINE INDUSTRIAL CO.,LTD.

TEL:886-2-22990545

FAX:886-2-22990546

