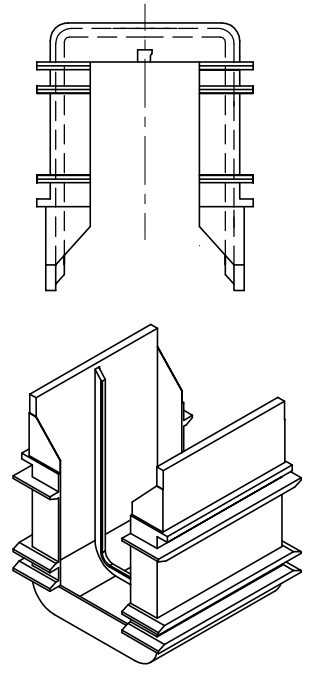
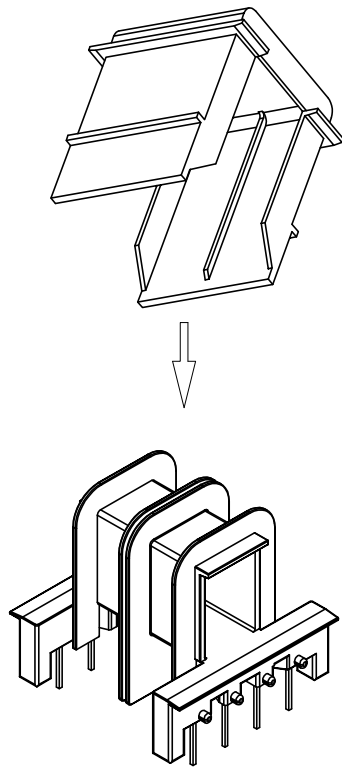
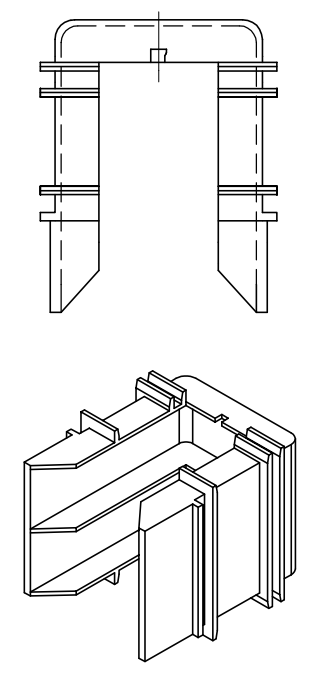


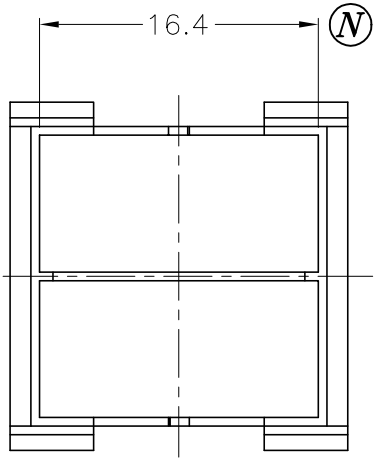
DRAWING NO.	MATERIAL:	ORIGIN:
C-108-2	PBT 4115	DG



DRAWING NO.	MATERIAL:	ORIGIN:
C-108-1	PBT 4115	DG



PART P-2530



REV.	REVISIONS	REC.	REV.	REVISIONS	REC.
3	DRAWING NO. P-2530A-->C-108				

DRAWN & DRAFTED BY DENG SHENGBIN	TOLERANCES		ANGLE: $\pm 1^\circ$	TITLE: COVER EF-25	
	0<L≤4 ±0.1	pin pitch	UNIT: MM	BOBBIN MATERIAL: PBT 4115	UL REC. UL 94V-0
CHECKED & APPROVED BY ZHONG YU	4<L≤16 ±0.2		ORIGIN: DG	PIN MATERIAL:	PIN TENSION LOAD:
	16<L≤63 ±0.3		DATE: APR.23 '2003	DRAWING NO. C-108	REV. 3



PIN SHINE INDUSTRIAL CO., LTD.
 TEL:886-2-22990545 FAX:886-2-22990546