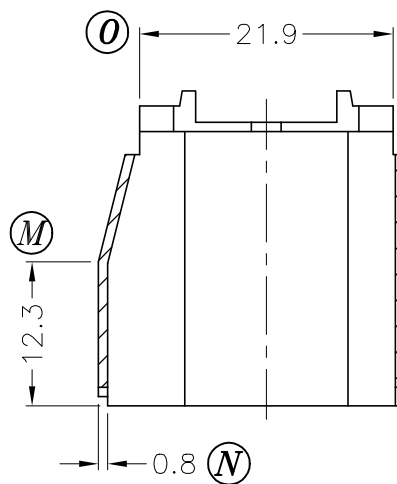
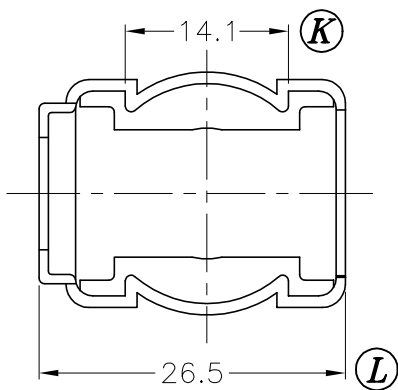
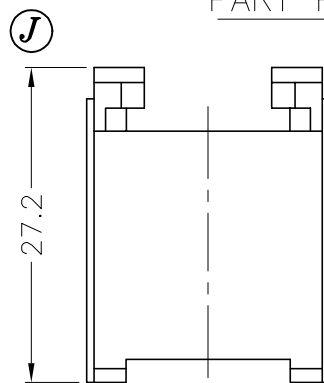
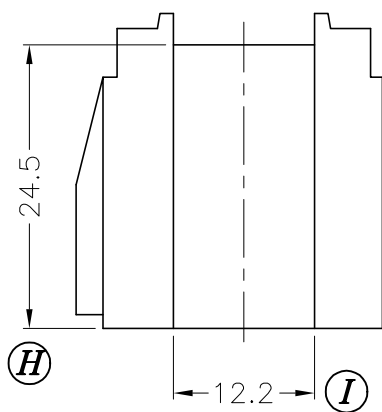


PART P-2823



SEC.A-A

REV.	REVISIONS	REC.	REV.	REVISIONS	REC.
1	DRAWING NO. P-2823A-->C-110				

DRAWN & DRAFTED BY DENG SHENGBIN	TOLERANCES		ANGLE:	TITLE:	
	0<L≤4 ±0.1	pin pitch	±1°	COVER EER-28L	
CHECKED & APPROVED BY ZHONG YU	4<L≤16 ±0.2		UNIT:	BOBBIN MATERIAL:	UL REC.
	16<L≤63 ±0.3	MM	PET FR530	UL 94V-0	
ORIGIN:			PIN MATERIAL:	PIN TENSION LOAD:	
DG					
DATE:		DRAWING NO.	REV.		
APR.23 '2003		C-110	1		



PIN SHINE INDUSTRIAL CO., LTD.

TEL:886-2-22990545

FAX:886-2-22990546

