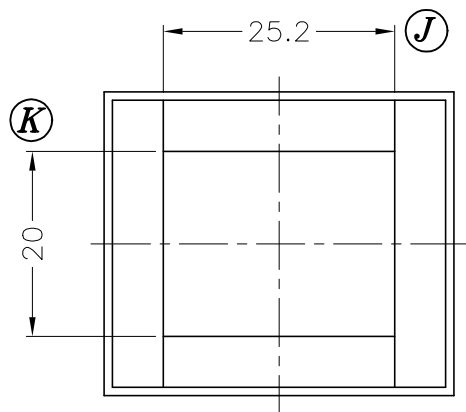


PART P-3520



REV.	REVISIONS	REC.	REV.	REVISIONS	REC.
1	(A):33.5->31.5 (D):25.6->23.6 (C) 26.5->24.5				
2	DRAWING NO. P-3520A-->C-113				

DRAWN & DRAFTED BY DENG SHENGBIN	TOLERANCES		ANGLE:	TITLE:	
	0<L≤4 ±0.1	pin pitch	±1°	COVER EI-35	
CHECKED & APPROVED BY JOHN RONG	4<L≤16 ±0.2		UNIT:	BOBBIN MATERIAL:	UL REC.
	16<L≤63 ±0.3	MM	PBT 4115	UL 94V-0	
PIN SHINE INDUSTRIAL CO., LTD. TEL:886-2-22990545 FAX:886-2-22990546			ORIGIN:	PIN MATERIAL:	PIN TENSION LOAD:
			DG		
			DATE:	DRAWING NO.	REV.
			APR.23 '2003	C-113	2