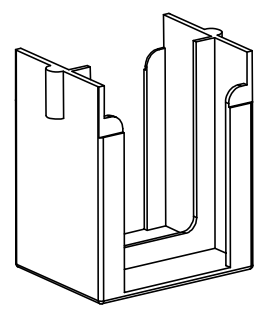
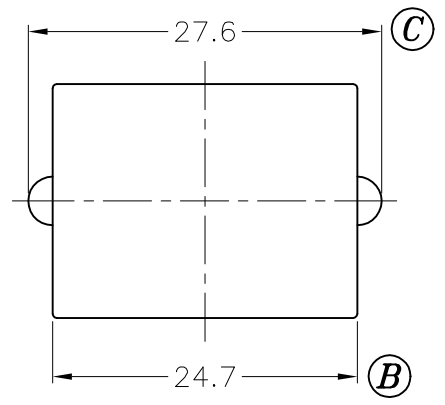
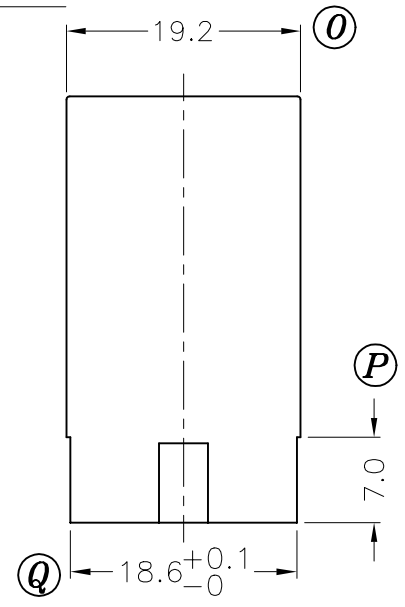
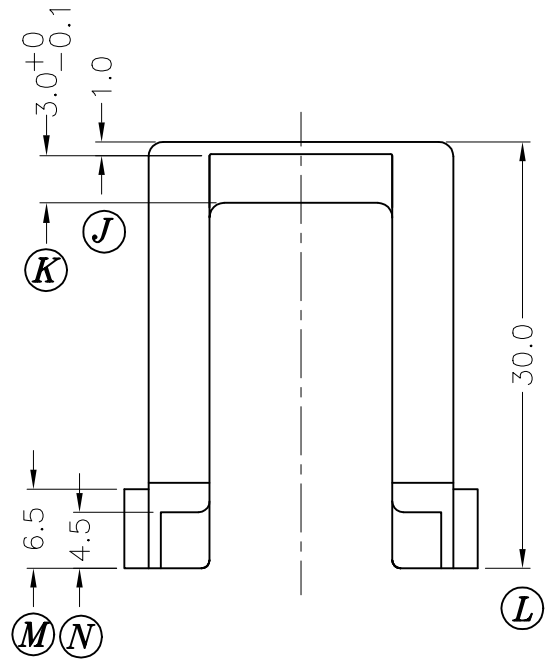


PART P-3530



REV.	REVISIONS	REC.	REV.	REVISIONS	REC.
1	DRAWING NO. P-3530A--> C-115				

DRAWN & DRAFTED BY WU FANG	TOLERANCES		ANGLE: ±1°	TITLE: COVER EI-35	
	±0.2	pin pitch	UNIT: MM	BOBBIN MATERIAL: PET FR530	UL REC. UL 94V-0
CHECKED & APPROVED BY TIAN BAI SEN			ORIGIN: SZ	PIN MATERIAL:	PIN TENSION LOAD:
	TEL:886-2-22990545 FAX:886-2-22990546			DATE: APR.23 '2003	DRAWING NO. C-115



PIN SHINE INDUSTRIAL CO., LTD.

TEL:886-2-22990545 FAX:886-2-22990546