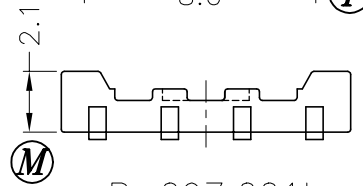
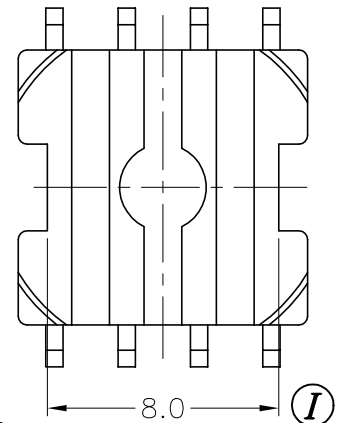
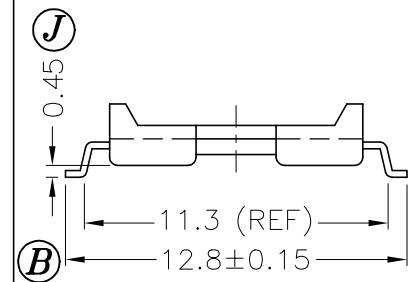


DRAWING NO.	MATERIAL:	ORIGIN:
SB-002-2	LCP E4008	SZ



B-097.001L

DRAWING NO.	MATERIAL:	ORIGIN:
SB-002-1	LCP E4008	DG



REV.	REVISIONS	REC.	REV.	REVISIONS	REC.
1	△: SHAPE MODIFIED				

DRAWN & DRAFTED BY TSUNG TUAN	TOLERANCES		ANGLE:	TITLE:	
	0<L≤4 ±0.1	COPLANARITY 0.1 MAX	±1°	SMD BASE 10X9.5X1.5	
CHECKED & APPROVED BY CHIN TE	4<L≤16 ±0.2		UNIT:	BOBBIN MATERIAL:	UL REC.
	16<L≤63 ±0.3	MM	LCP E4008	UL 94V-0	
PIN SHINE INDUSTRIAL CO., LTD. TEL:886-2-22990545 FAX:886-2-22990546		ORIGIN:	PIN MATERIAL:	PIN TENSION LOAD:	
		DG	PHOSPHOR BRONZE	1.5KG MIN.	
			DATE:	DRAWING NO.	REV.
			DEC.18 '1998	SB-002	1