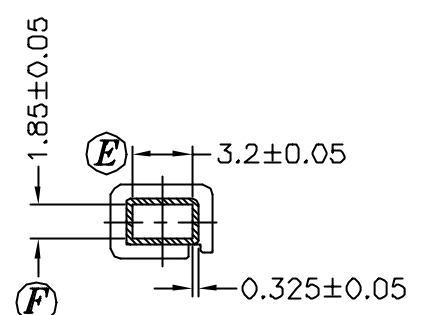
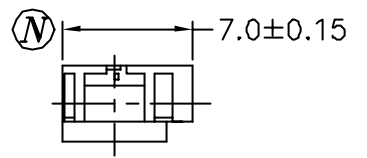
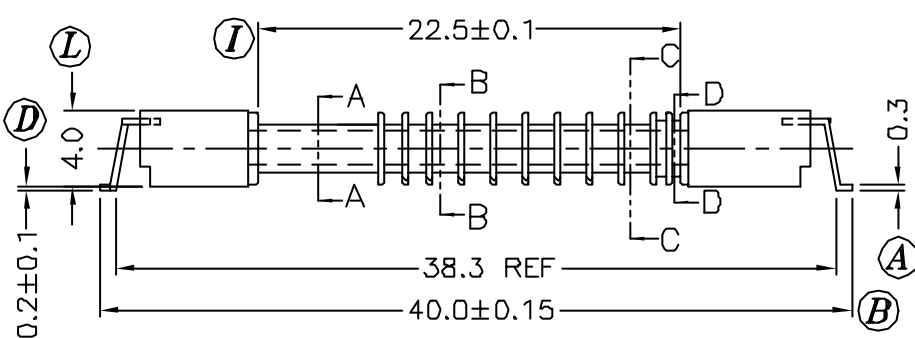


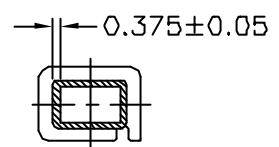
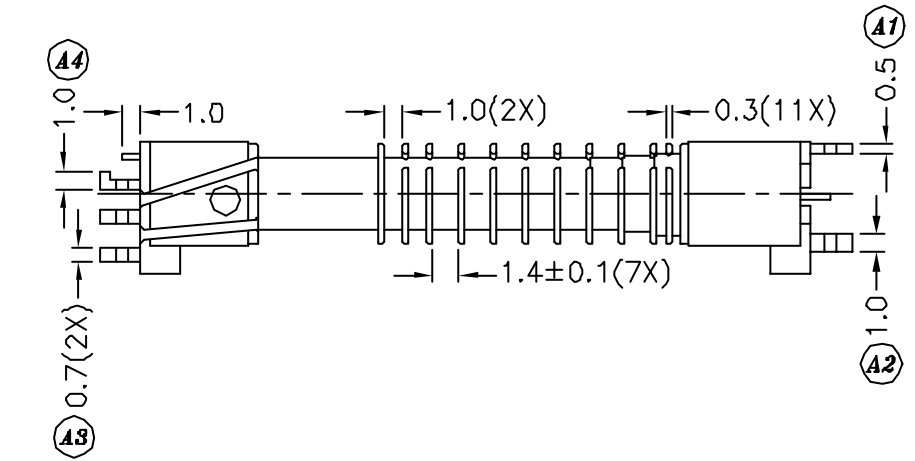
SEC. A-A



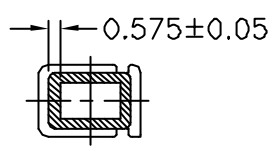
SEC. B-B



N



SEC. C-C



SEC. D-D

REV.	REVISIONS REC.	DATE	REV.	REVISIONS REC.	DATE

DRAWN & DRAFTED BY LIU YOU SEN	TOLERANCES		ANGLE: $\pm 1^\circ$	TITLE: SMD BOBBIN CI-8.1 (SEC 12)	
	± 0.1	COPLANARITY 0.1MAX	UNIT: MM	BOBBIN MATERIAL: LCP E400B	UL REC. UL 94V-0
CHECKED & APPROVED BY	ORIGIN: SZ		PIN MATERIAL: PHOSPHOR BRONZE	PIN TENSION LOAD: 1.0KG MIN	
 TEL: 886-2-22990545 FAX: 886-2-22990546			DATE: MAY.04 '2004	DRAWING NO. S-828-1	REV. 0