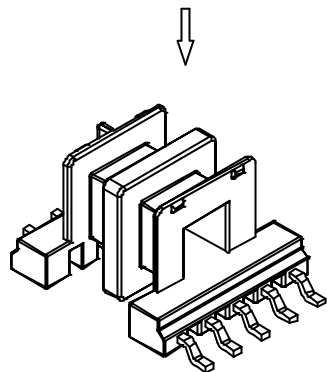


PART C-104



REV.	REVISIONS	REC.	REV.	REVISIONS	REC.
1	PIN TENSION LOAD 1.5KG->1.0KG.				

DRAWN & DRAFTED BY	YAN WEI MING	TOLERANCES		ANGLE:	TITLE:	
		0<L≤4 ±0.1	COPLANARITY	±1°	SMD BOBBIN EE-12.6 (2 SEC)	
CHECKED & APPROVED BY	ZHONG YU	4<L≤16 ±0.2	0.1 MAX	UNIT:	BOBBIN MATERIAL:	UL REC.
		16<L≤63 ±0.3		MM	PHENOLIC PM9630	UL 94V-0
				ORIGIN:	PIN MATERIAL:	PIN TENSION LOAD:
				DG	PHOSPHOR BRONZE	1.0KG MIN.
					DATE:	DRAWING NO.
					APR.03 '2003	S-1203-1
						REV.
						1



PIN SHINE INDUSTRIAL CO.,LTD.
 TEL:886-2-22990545 FAX:886-2-22990546

