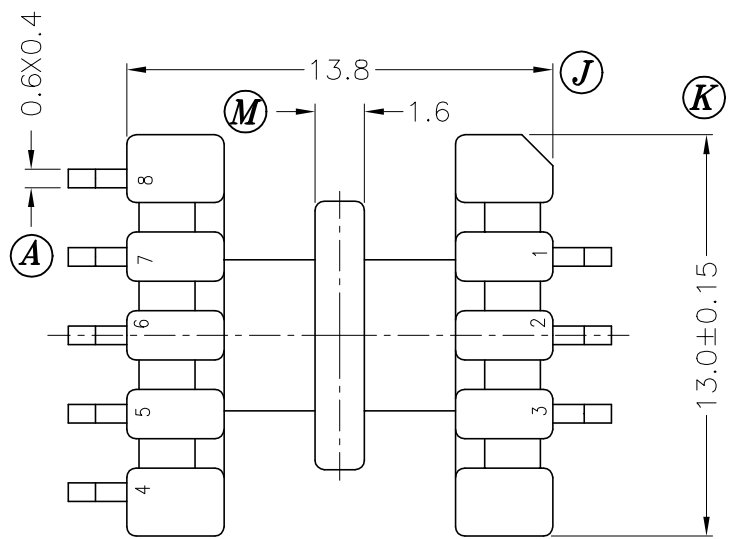
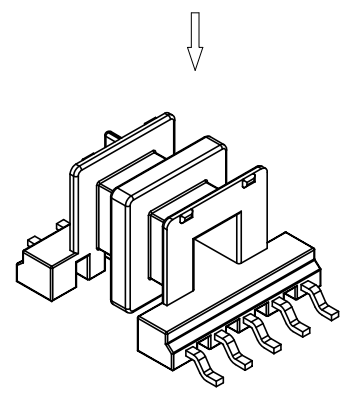


PART C-104



REV.	REVISIONS	REC.	REV.	REVISIONS	REC.
1	CANCEL (O),(D); UPDATE DRAWING				

DRAWN & DRAFTED BY YAN WEI MING	TOLERANCES		ANGLE:	TITLE:	
	0<L≤4 ±0.1	COPLANARITY 0.1 MAX	±1°	SMD BOBBIN EE-12.6 (2 SEC)	
CHECKED & APPROVED BY ZHONG YU	4<L≤16 ±0.2		UNIT:	BOBBIN MATERIAL:	UL REC.
	16<L≤63 ±0.3	MM	PHENOLIC PM9630	UL 94V-0	
PIN SHINE INDUSTRIAL CO., LTD. TEL:886-2-22990545 FAX:886-2-22990546			ORIGIN:	PIN MATERIAL:	PIN TENSION LOAD:
			DG	PHOSPHOR BRONZE	1.5KG MIN.
			DATE:	DRAWING NO.	REV.
			APR.03 '2003	S-1203	1