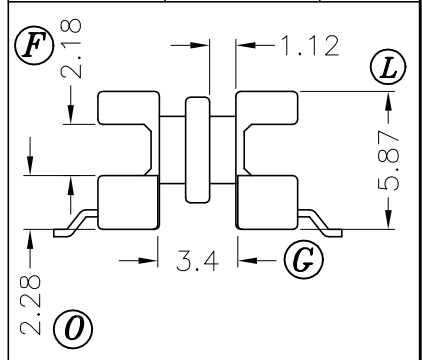
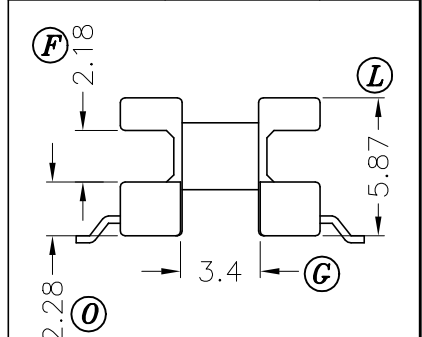


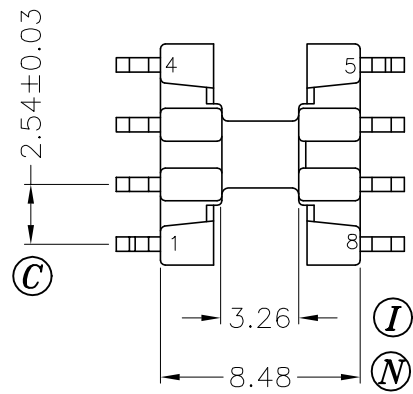
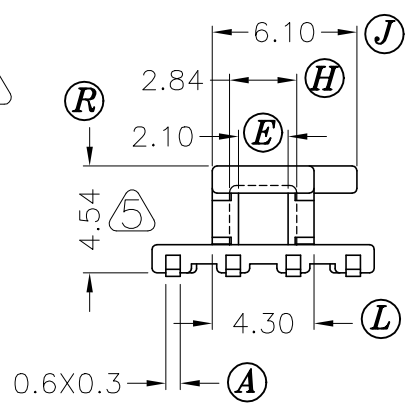
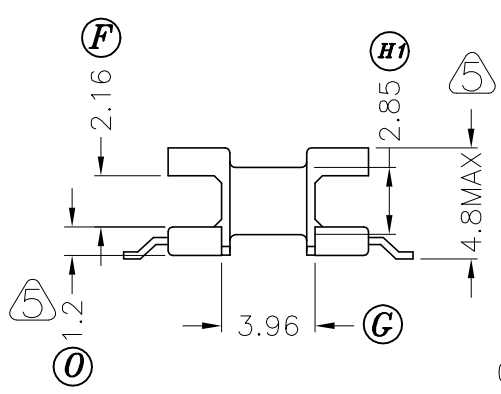
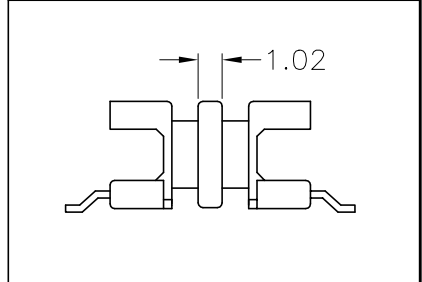
DRAWING NO:	MATERIAL:	ORIGIN:
S-809-3	PM9630	SZ



DRAWING NO:	MATERIAL:	ORIGIN:
S-809-2	PM9630	SZ



DRAWING NO:	MATERIAL:	ORIGIN:
S-809-1	PM9630	SZ



REV.	REVISIONS	REC.	REV.	REVISIONS	REC.
5	CHANGE OF DIMENSION	△5	8	ADD ROUND R0.25MM	△8
6	805-1014 CHANGE TO S-809		9	CANCEL (P),(K),(Q); PIN TENSION LOAD 1.0KG->1.5KG;	
7	S-809A CHANGE TO S-809			UPDATE DRAWING	

DRAWN & DRAFTED BY	ZHANG JIAN GUO	TOLERANCES		ANGLE:	TITLE:	
		±0.12	COPLANARITY 0.1 MAX	±1°	SMD BOBBIN EE-8.8	
CHECKED & APPROVED BY	TIAN BAI SEN			UNIT:	BOBBIN MATERIAL:	UL REC.
				MM	PHENOLIC PM9630	UL 94V-0
				ORIGIN:	PIN MATERIAL:	PIN TENSION LOAD:
				SZ	PHOSPHOR BRONZE	1.5KG MIN
					DATE:	DRAWING NO.
					APR.02 '2003	S-809
						REV. 9



PIN SHINE INDUSTRIAL CO., LTD.
 TEL:886-2-22990545 FAX:886-2-22990546