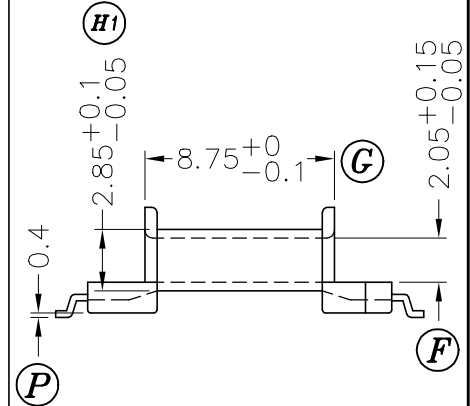
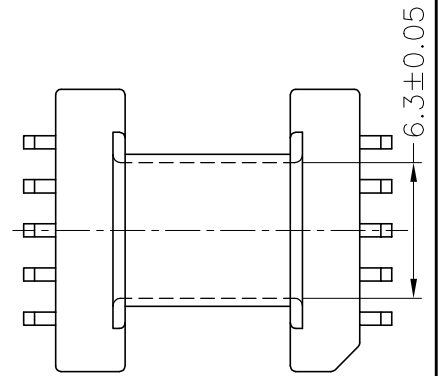
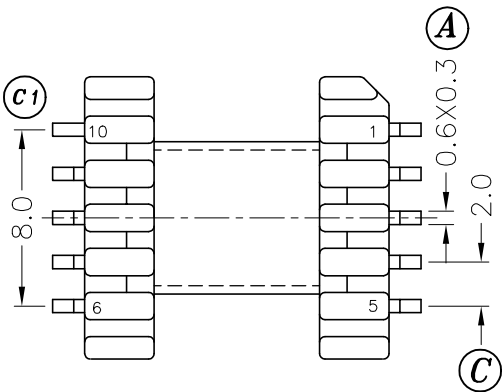
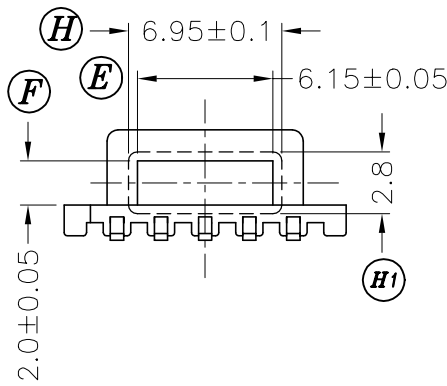
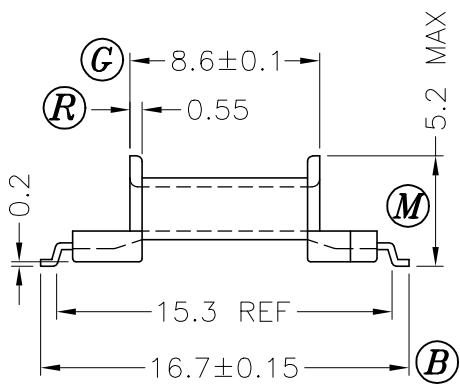
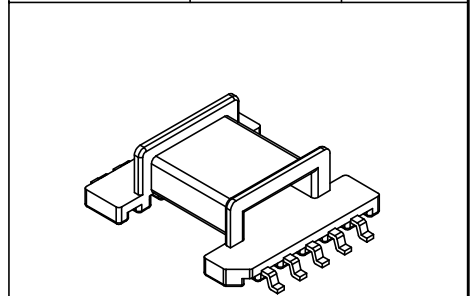


DRAWING NO.	MATERIAL:	ORIGIN:
S-1208-2	LCP E4008	SZ



DRAWING NO.	MATERIAL:	ORIGIN:
S-1208-1	PM9630	DG



B-058.101P(B-058)

B-058.101L(B-058)

REV.	REVISIONS	REC.	REV.	REVISIONS	REC.
1	CANCEL (S),(Q); UPDATE DRAWING				

DRAWN & DRAFTED BY ZHANG ZHI QIANG	TOLERANCES		ANGLE:	TITLE:	
	0<L≤4 ±0.1	COPLANARITY 0.1 MAX	±1°	SMD BOBBIN EEM-12.7/13.7	
CHECKED & APPROVED BY JOHN RONG	4<L≤16 ±0.2		UNIT:	BOBBIN MATERIAL:	UL REC.
	16<L≤63 ±0.3	MM	LCP E4008	UL 94V-0	
PIN SHINE INDUSTRIAL CO., LTD. TEL:886-2-22990545 FAX:886-2-22990546		ORIGIN:	PIN MATERIAL:	PIN TENSION LOAD:	
		SZ	PHOSPHOR BRONZE	1.0KG MIN	
		DATE:	DRAWING NO.	REV.	
		APR.03 '2003	S-1208	1	