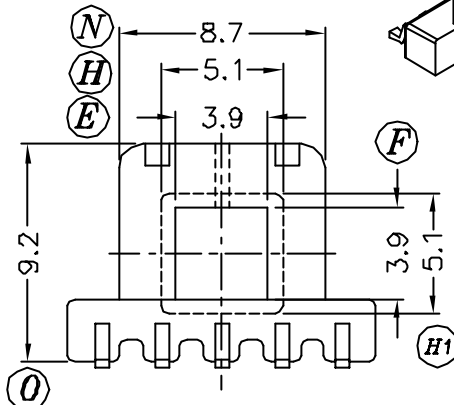
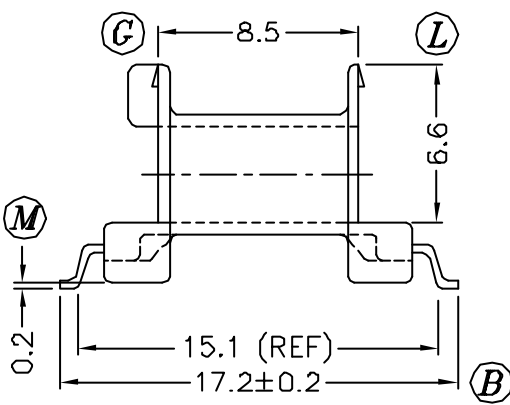
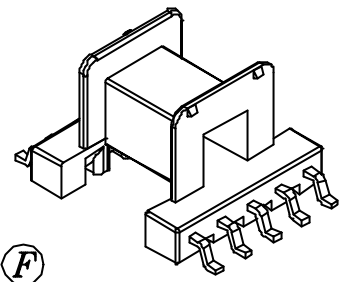
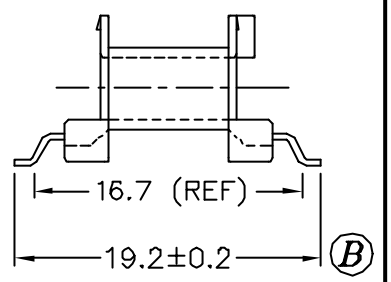


PART C-105

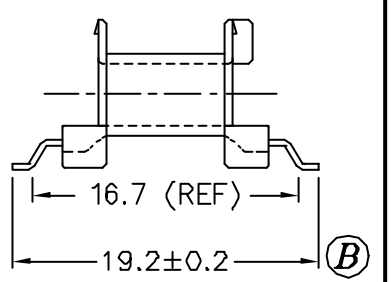


DRAWING NO.	MATERIAL:	ORIGIN:
S-1204-2	PM9630	DG

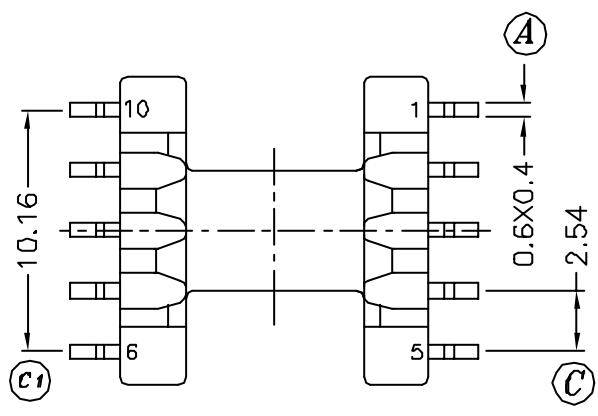


B-053.101P(B-053)

DRAWING NO.	MATERIAL:	ORIGIN:
S-1204-1	LCP E4008	DG



B-053.101L(B-053)



REV.	REVISIONS	REC.	REV.	REVISIONS	REC.
1	CANCEL (D); UPDATE DRAWING				

DRAWN & DRAFTED BY YAN WEI MING	TOLERANCES		ANGLE: ±1°	TITLE: SMD BOBBIN EF-12.6	
	0<L≤4 ±0.1	COPLANARITY 0.1 MAX	UNIT: MM	BOBBIN MATERIAL: PHENOLIC PM9630	UL REC. UL 94V-0
CHECKED & APPROVED BY ZHONG YU	4<L≤16 ±0.2		ORIGIN: DG	PIN MATERIAL: PHOSPHOR BRONZE	PIN TENSION LOAD: 1.5KG MIN
 PIN SHINE INDUSTRIAL CO.,LTD. TEL:886-2-22990545 FAX:886-2-22990546			DATE: APR.03 '2003	DRAWING NO. S-1204	REV. 1