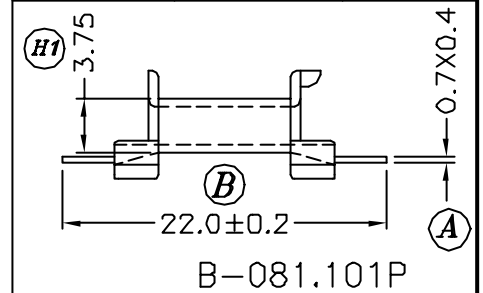
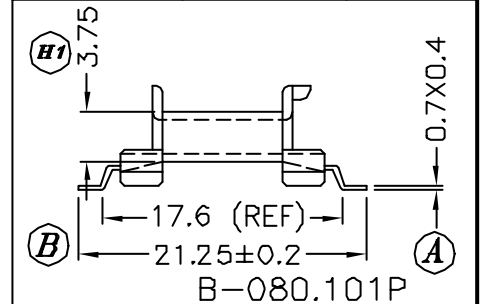


DRAWING NO.	MATERIAL:	ORIGIN:
S-1502-2	PM9630	DG



DRAWING NO.	MATERIAL:	ORIGIN:
S-1502-1	PM9630	DG



REV.	REVISIONS REC.	REV.	REVISIONS REC.
1.	(B):21.35 ⁺⁰ _{-0.2} CHANGE TO 21.35 (E):5.5 ^{+0.1} ₋₀ CHANGE TO 5.5		(M):2.7±0.05 CHANGE TO 2.7
	(F):2.6 ^{+0.1} ₋₀ CHANGE TO 2.6 (G):10.4±0.1 CHANGE TO 10.4	2	CANCEL (M),(D); UPDATE DRAWING
	(H):6.75±0.1 CHANGE TO 6.75 (I):9.0±0.05 CHANGE TO 9.0		

DRAWN & DRAFTED BY YAN WEI MING	TOLERANCES		ANGLE: ±1°	TITLE: SMD BOBBIN EFD-15	
	0<L≤4 ±0.1	COPLANARITY 0.1 MAX	UNIT: MM	BOBBIN MATERIAL: PHENOLIC PM9630	UL REC. UL 94V-0
CHECKED & APPROVED BY ZHONG YU	4<L≤16 ±0.2		ORIGIN: DG	PIN MATERIAL: PHOSPHOR BRONZE	PIN TENSION LOAD: 1.5KG MIN
PIN SHINE INDUSTRIAL CO.,LTD.			DATE: APR.04 '2003	DRAWING NO. S-1502	REV. 2
TEL:886-2-22990545 FAX:886-2-22990546					