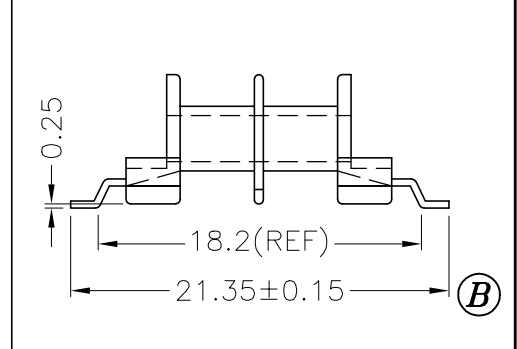


DRAWING NO:	MATERIAL:	ORIGIN:
S-1510-1	LCP E4008	DG



B-030.201L

REV.	REVISIONS	REC.	REV.	REVISIONS	REC.
1	CANCEL (R); ADD (G),(I),(I1),(P);				
	PIN TENSION LOAD 1.0KG-->1.5KG; UPDATE DRAWING				

DRAWN & DRAFTED BY ZHANG ZHI QIANG	TOLERANCES		ANGLE:	TITLE:	
	0<L≤4 ±0.1	COPLANARITY 0.1 MAX	±1°	SMD BOBBIN EFD-15 (2 SEC)	
CHECKED & APPROVED BY JOHN RONG	4<L≤16 ±0.2		UNIT:	BOBBIN MATERIAL:	UL REC.
	16<L≤63 ±0.3	MM	LCP E4008	UL 94V-0	
PIN SHINE INDUSTRIAL CO., LTD. TEL:886-2-22990545 FAX:886-2-22990546		ORIGIN:	PIN MATERIAL:	PIN TENSION LOAD:	
		DG	PHOSPHOR BRONZE	1.5KG MIN	
		DATE:	DRAWING NO.	REV.	
		APR.04 '2003	S-1510	1	