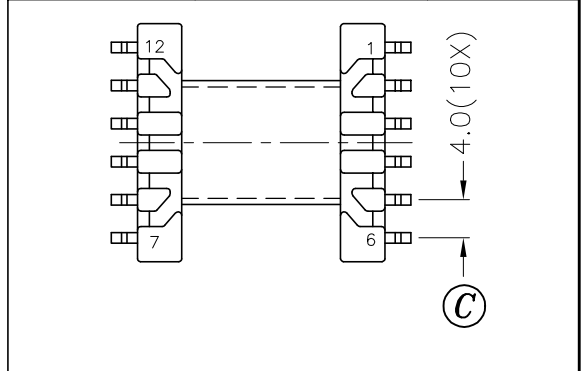


| | | |
|-------------|-----------|---------|
| DRAWING NO. | MATERIAL: | ORIGIN: |
| S-2501-1 | PM9630 | SZ |



B-060.101P(B-060)

| REV. | REVISIONS | REC. | REV. | REVISIONS | REC. |
|------|-------------------------|---------|------|-----------|------|
| 1 | TERMINAL MODIFIED TO BE | 1.0X0.5 | | | |
| 2 | TERMINAL MODIFIED TO BE | 0.8X0.4 | | | |
| 3 | TERMINAL MODIFIED TO BE | 1.1X0.4 | | | |

| | | | | | |
|--|--------------|------------------------|-----------------|-------------------|---------|
| DRAWN & DRAFTED BY WANG CHENG | TOLERANCES | | ANGLE: | TITLE: | |
| | 0<L≤4 ±0.1 | COPLANARITY 0.1 MAX | ±1° | SMD BOBBIN EFD-25 | |
| CHECKED & APPROVED BY JOHN RONG | 4<L≤16 ±0.2 | | UNIT: | BOBBIN MATERIAL: | UL REC. |
| | 16<L≤63 ±0.3 | MM | PHENOLIC PM9630 | UL 94V-0 | |
| PIN SHINE INDUSTRIAL CO., LTD. TEL:886-2-22990545 FAX:886-2-22990546 | | ORIGIN: | PIN MATERIAL: | PIN TENSION LOAD: | |
| | | DG SZ | PHOSPHOR BRONZE | 1.5KG MIN. | |
| | | DATE: | DRAWING NO. | REV. | |
| | | JUN. 07 '2001 | S-2501 | 3 | |