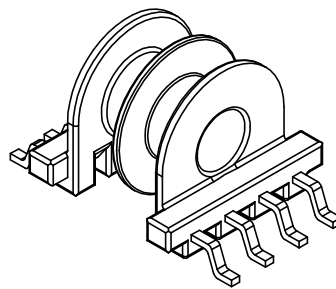
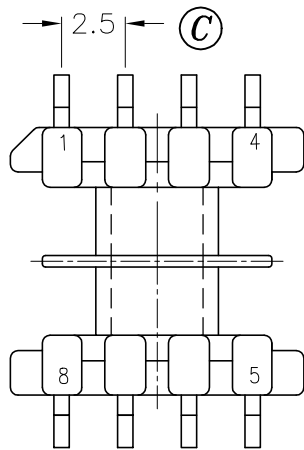
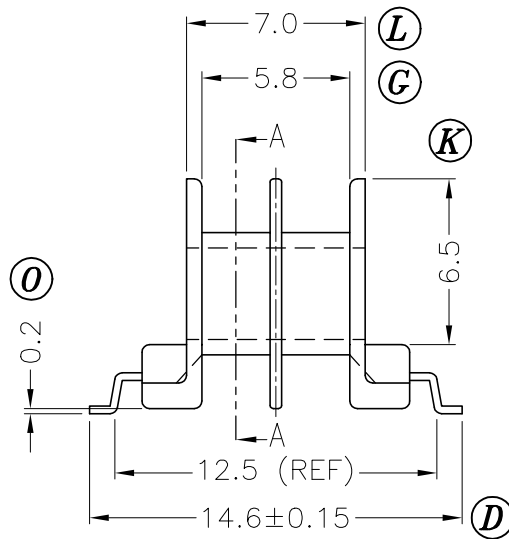
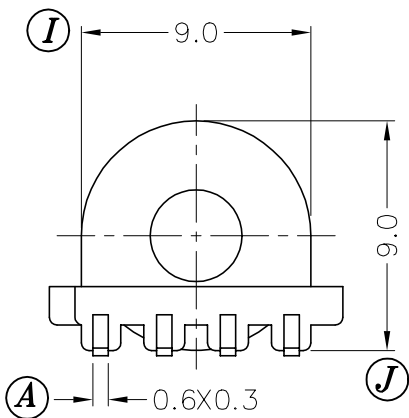
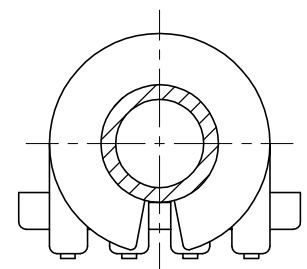


SEC. A-A



DRAWING NO:	MATERIAL:	ORIGIN:
S-1002-1	LCP E4008	DG



SEC. A-A

REV.	REVISIONS	REC.	REV.	REVISIONS	REC.
1	CANCEL (O); UPDATE DRAWING				

DRAWN & DRAFTED BY TSUNG TUAN	TOLERANCES		ANGLE:	TITLE:	
	0 $L \le 4$ ±0.1	COPLANARITY 0.1 MAX	±1°	SMD BOBBIN EP-10 (2 SEC)	
CHECKED & APPROVED BY CHIN TE	4 $L \le 16$ ±0.2		UNIT:	BOBBIN MATERIAL:	UL REC.
	16 $L \le 63$ ±0.3		MM	LCP E4008	UL 94V-0
PIN SHINE INDUSTRIAL CO., LTD. TEL:886-2-22990545 FAX:886-2-22990546			ORIGIN:	PIN MATERIAL:	PIN TENSION LOAD:
			DG	PHOSPHOR BRONZE	1.5KG MIN.
			DATE:	DRAWING NO.	REV.
			APR.02 '2003	S-1002	1