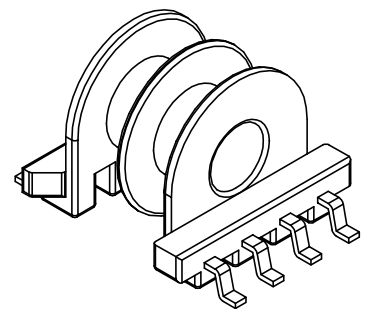


DRAWING NO.	MATERIAL:	ORIGIN:
S-1004-1	PM9630	DG



B-013.201L(B-013-1)

B-013.201P(B-013-1)

REV.	REVISIONS	REC.	REV.	REVISIONS	REC.
1	PIN TENSION LOAD 1.0KG-->1.5KG; UPDATE DRAWING				

DRAWN & DRAFTED BY ZHANG ZHI QIANG	TOLERANCES		ANGLE:	TITLE:	
	0<L≤4 ±0.1	COPLANARITY 0.1 MAX	±1°	SMD BOBBIN EP-10 (2 SEC)	
CHECKED & APPROVED BY JOHN RONG	4<L≤16 ±0.2		UNIT:	BOBBIN MATERIAL:	UL REC.
	16<L≤63 ±0.3		MM	LCP E4008	UL 94V-0
<b>PIN SHINE INDUSTRIAL CO., LTD.</b> TEL:886-2-22990545      FAX:886-2-22990546			ORIGIN:	PIN MATERIAL:	PIN TENSION LOAD:
			DG	PHOSPHOR BRONZE	1.5KG MIN
			DATE:	DRAWING NO.	REV.
			APR.28 '2003	S-1004	1