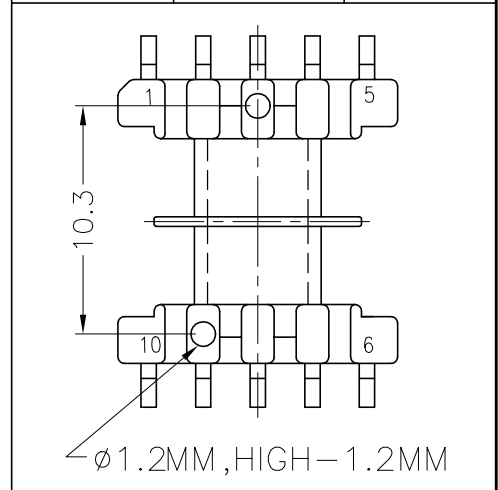


DRAWING NO.	MATERIAL:	ORIGIN:
S-1302-1	LCP E4008	DG



REV.	REVISIONS	REC.	REV.	REVISIONS	REC.
1	CANCEL (0); UPDATE DRAWING				

DRAWN & DRAFTED BY TSUNG TUAN	TOLERANCES		ANGLE:	TITLE:	
	0<L≤4 ±0.1	COPLANARITY 0.1 MAX	±1°	SMD BOBBIN EP-13 (2 SEC)	
CHECKED & APPROVED BY CHIN TE	4<L≤16 ±0.2		UNIT:	BOBBIN MATERIAL:	UL REC.
	16<L≤63 ±0.3	MM	LCP E4008	UL 94V-0	
PIN SHINE INDUSTRIAL CO., LTD. TEL:886-2-22990545 FAX:886-2-22990546		ORIGIN:	PIN MATERIAL:	PIN TENSION LOAD:	
		DG SZ	PHOSPHOR BRONZE	1.5KG MIN.	
			DATE:	DRAWING NO.	REV.
			APR.03 '2003	S-1302	1