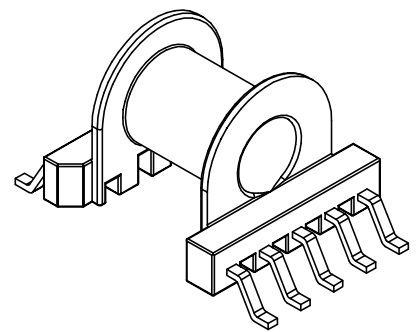


DRAWING NO.	MATERIAL:	ORIGIN:
S-1307-1	LCP E4008	DG



REV.	REVISIONS	REC.	REV.	REVISIONS	REC.
1	PIN TENSION LOAD 1.0KG-->1.5KG; UPDATE DRAWING				

DRAWN & DRAFTED BY	ZHONG SHENG	TOLERANCES		ANGLE:	TITLE:	
		0<L≤4 ±0.1	COPLANARITY 0.1 MAX	±1°	SMD BOBBIN EP-13	
CHECKED & APPROVED BY	RONG HONG JUN	4<L≤16 ±0.2		UNIT:	BOBBIN MATERIAL:	UL REC.
		16<L≤63 ±0.3	MM	PHENOLIC PM9630	UL 94V-0	
<b>PIN SHINE INDUSTRIAL CO., LTD.</b> TEL:886-2-22990545      FAX:886-2-22990546				ORIGIN:	PIN MATERIAL:	PIN TENSION LOAD:
				DG	PHOSPHOR BRONZE	1.5KG MIN.
				DATE:	DRAWING NO.	REV.
				APR.28 '2003	S-1307	1