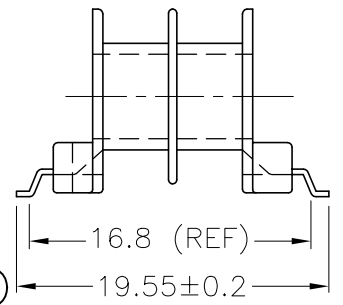
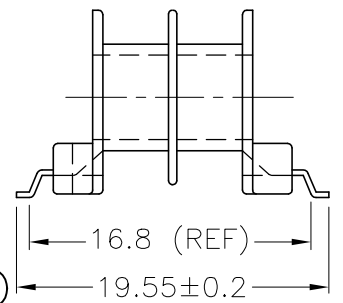


DRAWING NO.	MATERIAL:	ORIGIN:
S-1312-3	PM9630	DG SZ



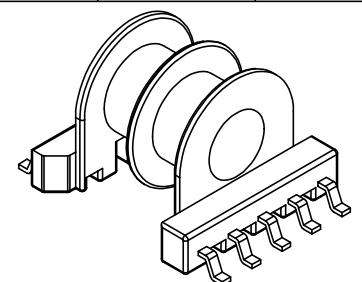
B-014.202P(B-014-1)

DRAWING NO.	MATERIAL:	ORIGIN:
S-1312-2	LCP E4008	DG

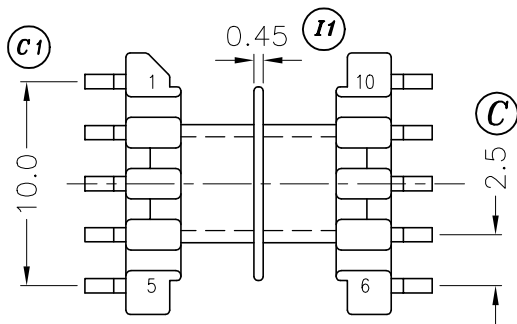
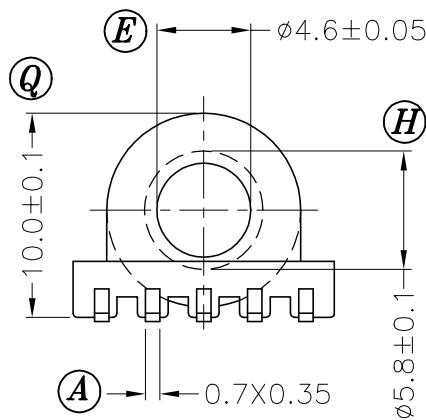
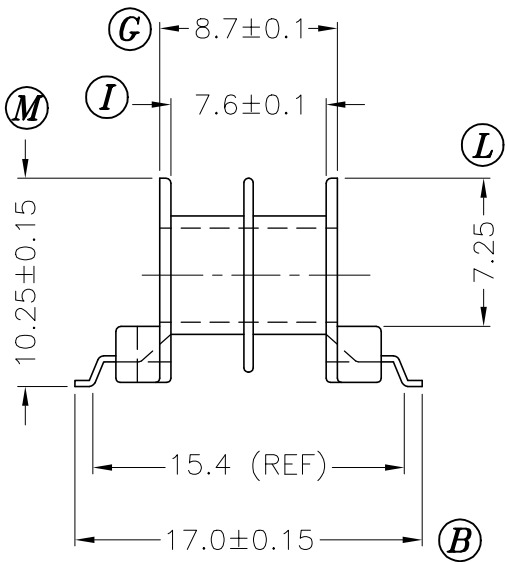


B-014.202L(B-014-1)

DRAWING NO.	MATERIAL:	ORIGIN:
S-1312-1	PM9630	DG SZ



B-014.201P(B-014-1)



B-014.201L(B-014-1)

REV.	REVISIONS	REC.	REV.	REVISIONS	REC.
1	CANCEL (P); ADD (I1); PIN TENSION LOAD 1.0KG-->1.5KG;				
	UPDATE DRAWING				

DRAWN & DRAFTED BY ZHANG ZHI QIANG	TOLERANCES		ANGLE:	TITLE:	
	0<L≤4 ±0.1	COPLANARITY 0.1 MAX	±1°	SMD BOBBIN EP-13 (2 SEC)	
CHECKED & APPROVED BY JOHN RONG	4<L≤16 ±0.2		UNIT:	BOBBIN MATERIAL:	UL REC.
	16<L≤63 ±0.3	MM	LCP E4008	UL 94V-0	
PIN SHINE INDUSTRIAL CO., LTD. TEL:886-2-22990545 FAX:886-2-22990546		ORIGIN:	PIN MATERIAL:	PIN TENSION LOAD:	
		DG SZ	PHOSPHOR BRONZE	1.5KG MIN	
			DATE:	DRAWING NO.	REV.
			APR.04 '2003	S-1312	1