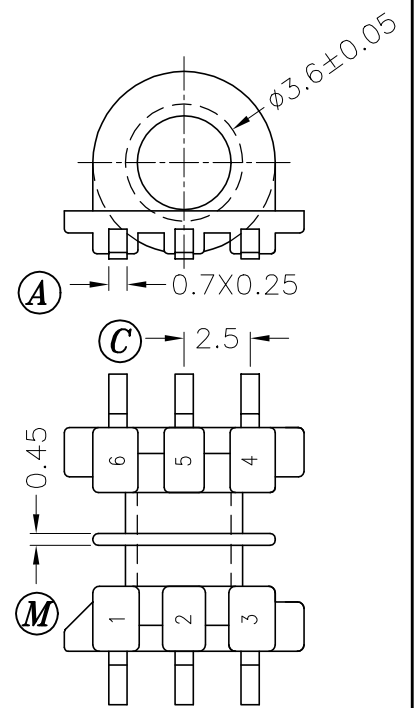
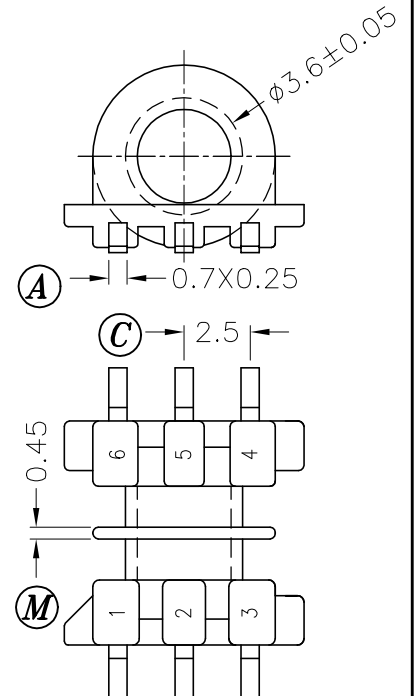


DRAWING NO:	MATERIAL:	ORIGIN:
S-702-2	PM9630	DG SZ

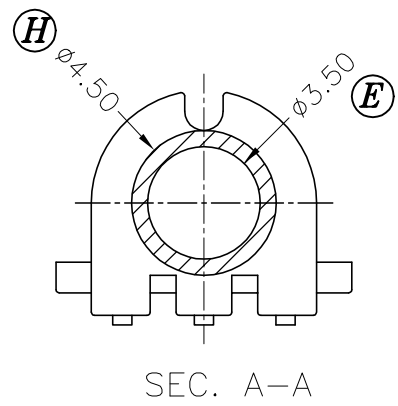
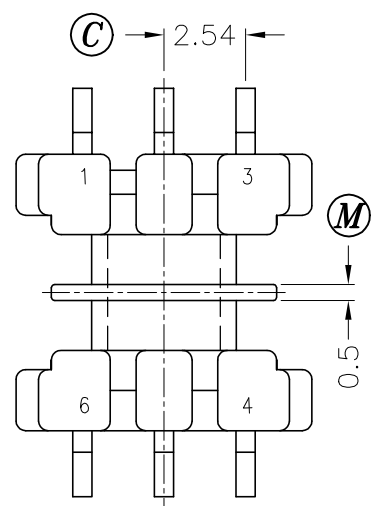
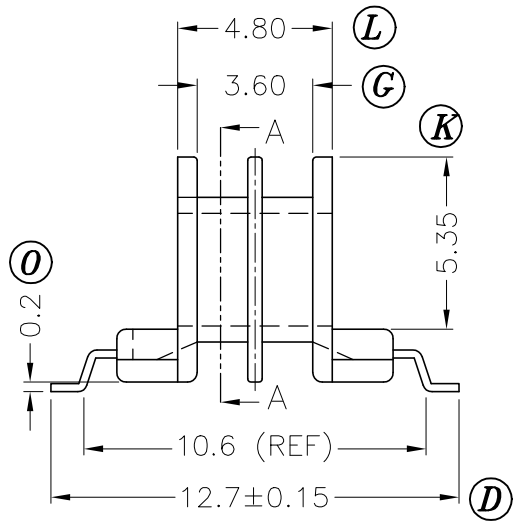
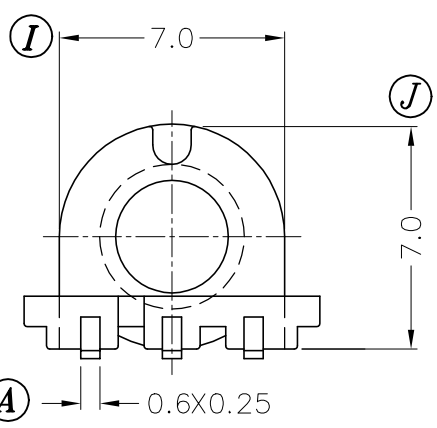


B-012.201P(B-012-1)

DRAWING NO:	MATERIAL:	ORIGIN:
S-702-1	LCP E4008	DG



B-012.201L(B-012-1)



REV.	REVISIONS	REC.	REV.	REVISIONS	REC.
1	(G): 3.0->3.6				
2	PIN TENSION LOAD 1.5 -->1.0; UPDATE DRAWING				

DRAWN & DRAFTED BY TSUNG TUAN	TOLERANCES		ANGLE:	TITLE:	
	0<L≤4 ±0.1	COPLANARITY 0.1 MAX	±1°	SMD BOBBIN EP-7 (2 SEC)	
CHECKED & APPROVED BY CHIN TE	4<L≤16 ±0.2		UNIT:	BOBBIN MATERIAL:	UL REC.
	16<L≤63 ±0.3		MM	LCP E4008	UL 94V-0
 PIN SHINE INDUSTRIAL CO., LTD. TEL:886-2-22990545 FAX:886-2-22990546	ORIGIN:	DG	PIN MATERIAL:	PHOSPHOR BRONZE	PIN TENSION LOAD: 1.0KG MIN
			DATE:	APR.02 '2003	DRAWING NO. S-702
					REV. 2