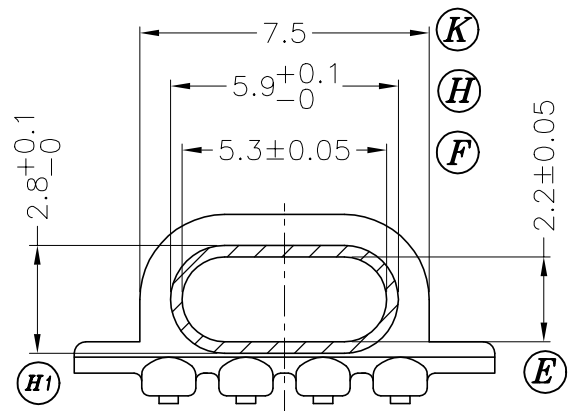
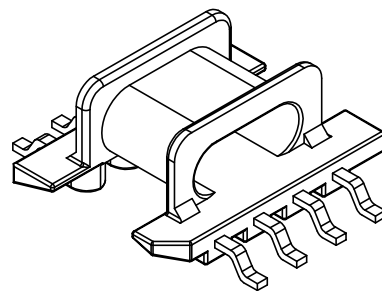
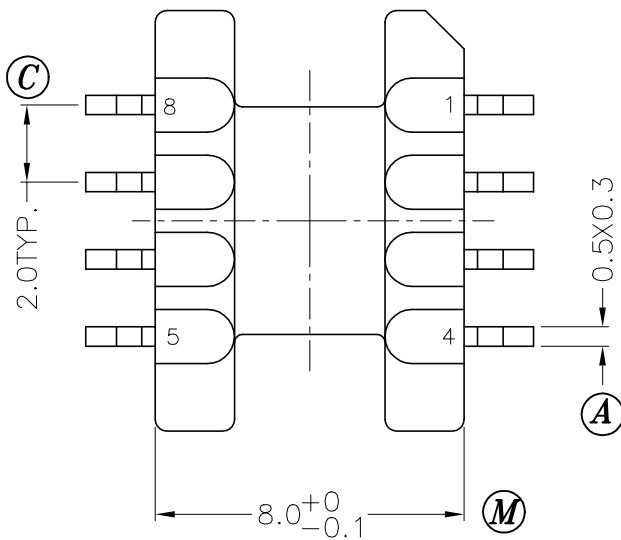
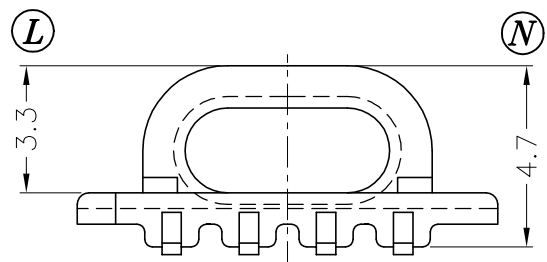
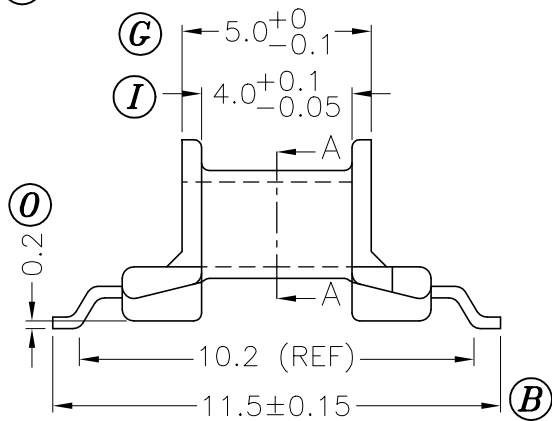


J



SEC. A-A



| REV. | REVISIONS   | REC.                           | REV. | REVISIONS | REC. |
|------|-------------|--------------------------------|------|-----------|------|
| 1    | CANCEL (D); | PIN TENSION LOAD 1.0KG->1.5KG. |      |           |      |
|      |             |                                |      |           |      |

|   |              |                        |                 |                   |                   |
|---|--------------|------------------------|-----------------|-------------------|-------------------|
| DRAWN & DRAFTED BY<br>WNCH HSIANG   | TOLERANCES   |                        | ANGLE:          | TITLE:            |                   |
|   | 0<L≤4 ±0.1   | COPLANARITY<br>0.1 MAX | ±1°             | SMD BOBBIN EPC-10 |                   |
| CHECKED & APPROVED BY<br>CHIN TE  | 4<L≤16 ±0.2  |                        | UNIT:           | BOBBIN MATERIAL:  | UL REC.           |
|   | 16<L≤63 ±0.3 | MM                     | PHENOLIC PM9630 | UL 94V-0          |                   |
| <b>PIN SHINE INDUSTRIAL CO., LTD.</b><br>TEL:886-2-22990545      FAX:886-2-22990546 |              |                        | ORIGIN:         | PIN MATERIAL:     | PIN TENSION LOAD: |
|   |              |                        | DG              | PHOSPHORUS BRONZE | 1.5KG MIN         |
|   |              |                        | DATE:           | DRAWING NO.       | REV.              |
|   |              |                        | APR.03 '2003    | S-1003            | 1                 |