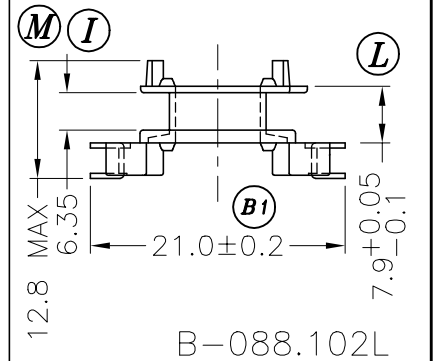
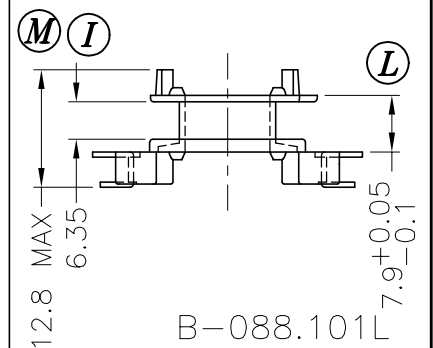


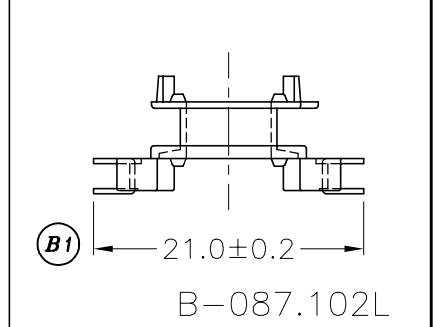
DRAWING NO:	MATERIAL:	ORIGIN:
S-603-3	LCP E4008	DG



DRAWING NO:	MATERIAL:	ORIGIN:
S-603-2	LCP E4008	DG



DRAWING NO:	MATERIAL:	ORIGIN:
S-603-1	LCP E4008	DG



B-087.101L

REV.	REVISIONS	REC.	REV.	REVISIONS	REC.
1	CANCEL (B1),(Q), ADD (I); UPDATE DRAWING.				

DRAWN & DRAFTED BY ZHANG ZHI QIANG	TOLERANCES		ANGLE:	TITLE:	
	0<L≤4 ±0.1	COPLANARITY 0.1 MAX	±1°	C TYPE SMD BOBBIN RM-6	
CHECKED & APPROVED BY JOHN RONG	4<L≤16 ±0.2		UNIT:	BOBBIN MATERIAL:	UL REC.
	16<L≤63 ±0.3	MM	LCP E4008	UL 94V-0	
ORIGIN: DG			PIN MATERIAL:	PIN TENSION LOAD:	
			PHOSPHOR BRONZE	1.0KG MIN	
DATE: APR.02 '2003			DRAWING NO.	REV.	
TEL:886-2-22990545 FAX:886-2-22990546			S-603	1	



PIN SHINE INDUSTRIAL CO., LTD.

TEL:886-2-22990545

FAX:886-2-22990546

