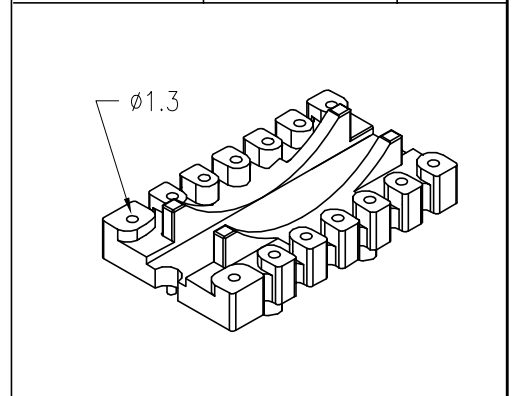


DRAWING NO.:	MATERIAL:	ORIGIN:
PB-010-1	PHENOLIC T375J	DG



REV.	REVISIONS	REC.	REV.	REVISIONS	REC.
1	(L):7.0->6.2 AND MATERIAL MODIFY:T375J CHANGE TO T200NA		4	CANCEL (G),(J),(L),(N).	
2	(A):ADD A DIMENSION				
3	MATERIAL MODIFY: T200NA CHANGE TO T375J				

DRAWN & DRAFTED BY DENG SHENGBIN	TOLERANCES		ANGLE:	TITLE:	
	0<L≤4 ±0.1	pin pitch ±0.2	±1°	T-H BASE 35.8X20.8X12.1	
CHECKED & APPROVED BY ZHONG YU	4<L≤16 ±0.2		UNIT:	BOBBIN MATERIAL:	UL REC.
	16<L≤63 ±0.3		MM	PHENOLIC T375J	UL 94V-0
<b>PIN SHINE INDUSTRIAL CO., LTD.</b> TEL:886-2-22990545      FAX:886-2-22990546			ORIGIN:	PIN MATERIAL:	PIN TENSION LOAD:
			DG	CP WIRE	1.5KG MIN.
			DATE:	DRAWING NO.	REV.
			AUG.13 '2003	PB-010	4