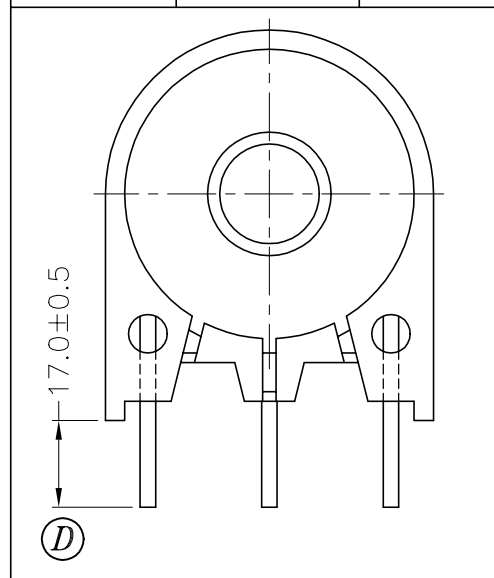


SEC A-A

DRAWING:	MATERIAL:	ORIGIN:
PB-004A	PET FR530	DG



REV.	REVISIONS	REC.	REV.	REVISIONS	REC.
2	ADD SPEC.(D) & CHANGE PIN NO.				

DRAWN & DRAFTED BY	SHENG BIN	TOLERANCES		ANGLE:	TITLE:	
		0<L≤4 ±0.1	pin pitch ±0.2	±1°	T-H BASE 20.2X17X9	
CHECKED & APPROVED BY	JOHN RONG	4<L≤16 ±0.2		UNIT:	BOBBIN MATERIAL:	UL REC.
		16<L≤63 ±0.3	MM	PET FR530	UL 94V-0	
<b>PIN SHINE INDUSTRIAL CO.,LTD.</b> TEL:886-2-22990545      FAX:886-2-22990546				ORIGIN:	PIN MATERIAL:	PIN TENSION LOAD:
				DG	CP WIRE	1.5KG MIN.
				DATE:	DRAWING NO.	REV.
				AUG.17 '2000	PB-004	2