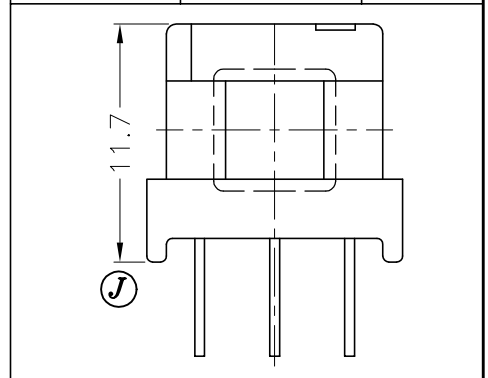


DRAWING NO.	MATERIAL:	ORIGIN:
P-1617-1	PHENOLIC T375J	DG



REV.	REVISIONS	REC.	REV.	REVISIONS	REC.
1	△1:SHAPE MODIFY AND (J):10.4->11.2				
2	△2:SHAPE MODIFY				
3	CANCEL (L).				

DRAWN & DRAFTED BY DENG SHENGBIN	TOLERANCES		ANGLE:	TITLE:	
	0<L≤4 ±0.1	pin pitch ±0.2	±1°	T-H BOBBIN BE-16 (2 SEC)	
CHECKED & APPROVED BY ZHONG YU	4<L≤16 ±0.2		UNIT:	BOBBIN MATERIAL:	UL REC.
	16<L≤63 ±0.3		MM	PHENOLIC T375J	UL 94V-0
PIN SHINE INDUSTRIAL CO., LTD. TEL:886-2-22990545 FAX:886-2-22990546			ORIGIN:	PIN MATERIAL:	PIN TENSION LOAD:
			DG	CP WIRE	1.5KG MIN.
			DATE:	DRAWING NO.	REV.
			APR.01 '2003	P-1617	3