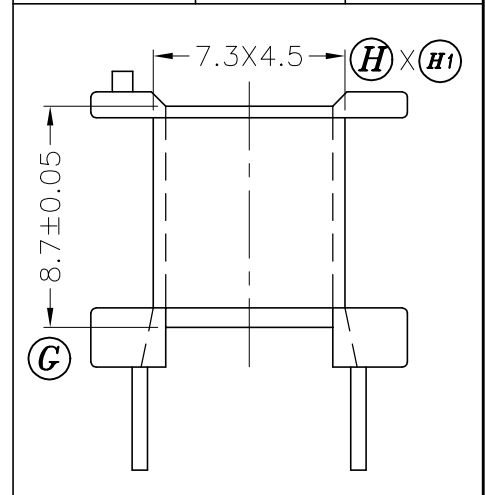
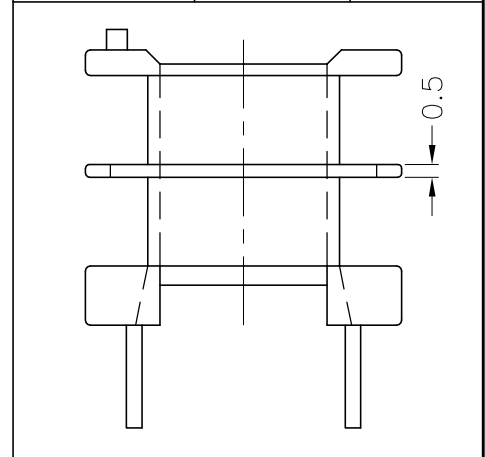
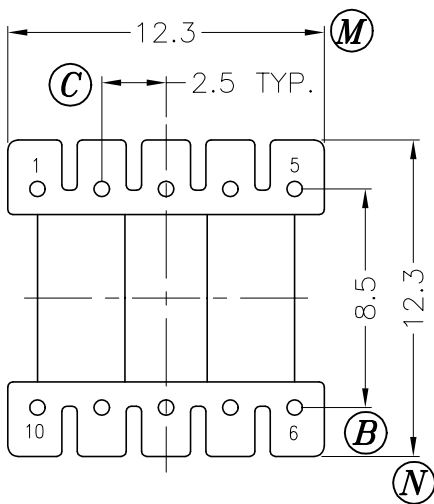


DRAWING NO:	MATERIAL:	ORIGIN:
P-1302-2	PM9820	DG



DRAWING NO:	MATERIAL:	ORIGIN:
P-1302-1	PM9820	DG



REV.	REVISIONS	REC.	REV.	REVISIONS	REC.
1	(F): 3.1→3.1 <sup>+0.1</sup> <sub>0</sub> (H): 7.2→7.3 <sup>+0.1</sup> <sub>0</sub> (H1): 3.9→4.0 <sup>+0.1</sup> <sub>0</sub>				
2	(F): 3.1 <sup>+0.1</sup> <sub>0</sub> →3.1 (H): 7.3 <sup>+0.1</sup> <sub>0</sub> →7.3 (H1): 4.0 <sup>+0.1</sup> <sub>0</sub> →4.0				
3	CANCEL (0); UPDATE DRAWING				

DRAWN & DRAFTED BY WNCH HSIANG	TOLERANCES		ANGLE:	TITLE:	
	0<L≤4 ±0.1	pin pitch ±0.2	±1°	T-H BOBBIN EE-13	
CHECKED & APPROVED BY CHIN TE	4<L≤16 ±0.2		UNIT:	BOBBIN MATERIAL:	UL REC.
	16<L≤63 ±0.3	MM	PHENOLIC PM9820	UL 94V-0	
<b>PIN SHINE INDUSTRIAL CO., LTD.</b> TEL:886-2-22990545 FAX:886-2-22990546		ORIGIN:	PIN MATERIAL:	PIN TENSION LOAD:	
		DG SZ	CP WIRE	1.0KG MIN.	
			DATE:	DRAWING NO.	REV.
			MAR.31 '2003	P-1302	3