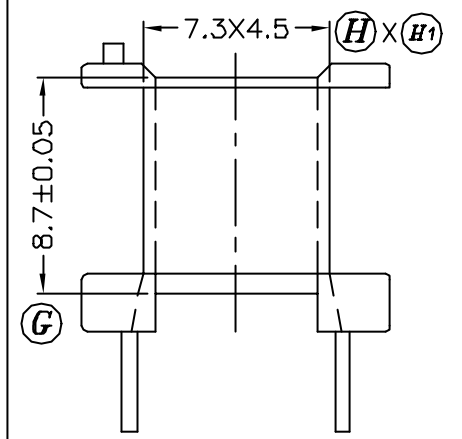
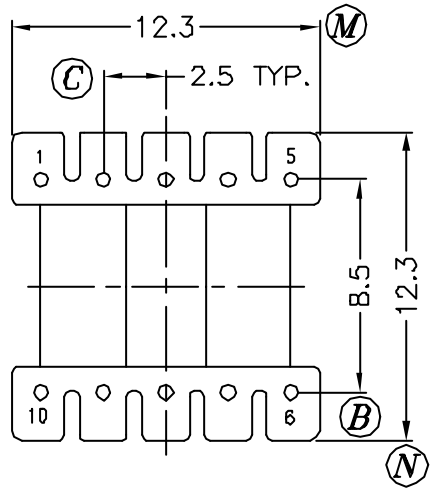
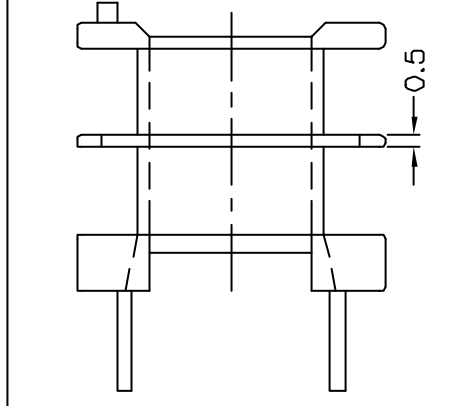



DRAWING NO:	MATERIAL:	ORIGIN:
P-1302-2	PM9820	DC



DRAWING NO:	MATERIAL:	ORIGIN:
P-1302-1	PM9820	DC



REV.	REVISIONS REC.	REV.	REVISIONS REC.
1	(F): 3.1 → 3.1 ^{+0.1} _{-0.1} (H): 7.2 → 7.3 ^{+0.1} _{-0.1} (H1): 3.9 → 4.0 ^{+0.1} _{-0.1}		
2	(F): 3.1 ^{+0.1} _{-0.1} → 3.1 (H): 7.3 ^{+0.1} _{-0.1} → 7.3 (H1): 4.0 ^{+0.1} _{-0.1} → 4.0		
3	CANCEL (O); UPDATE DRAWING		

DRAWN & DRAFTED BY WNCH HSIANG	TOLERANCES		ANGLE: ±1°	TITLE: T-H BOBBIN EE-13	
	0<L≤4 ±0.1	pin pitch ±0.2	UNIT: MM	BOBBIN MATERIAL: PHENOLIC PM9820	UL REC. UL 94V-0
CHECKED & APPROVED BY CHIN TE	4<L≤16 ±0.2	16<L≤63 ±0.3	ORIGIN: DG SZ TH	PIN MATERIAL: CP WIRE	PIN TENSION LOAD: 1.0KG MIN.
 PIN SHINE INDUSTRIAL CO.,LTD. TEL:886-2-22990545 FAX:886-2-22990546	DATE: MAR.31 '2003		DRAWING NO. P-1302		REV. 3