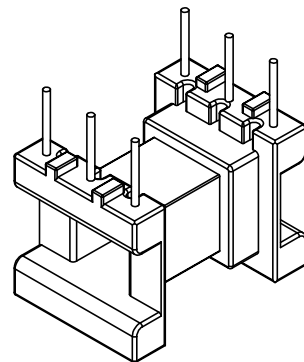
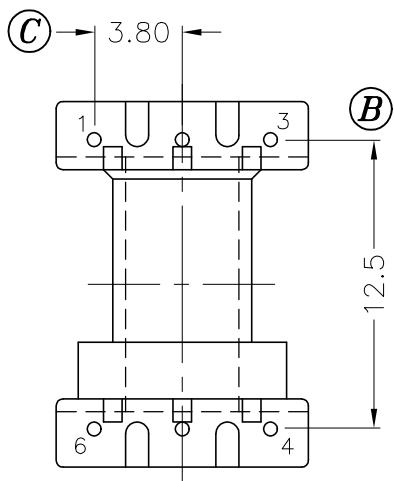
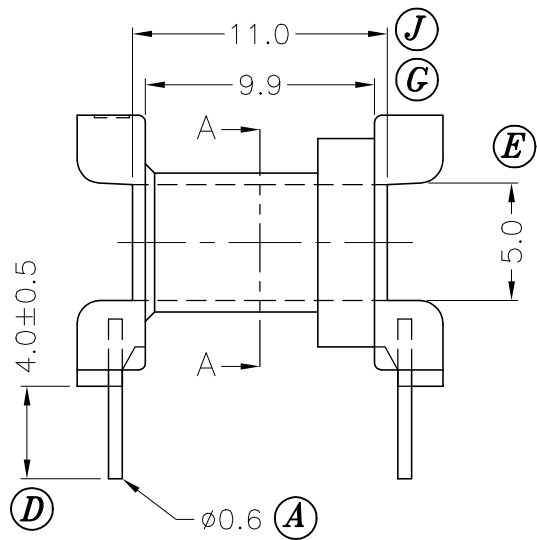
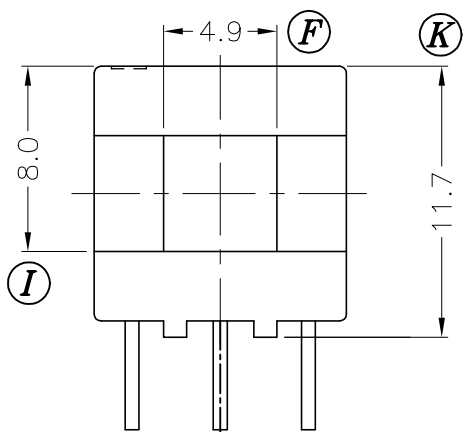


SEC.A-A



REV.	REVISIONS	REC.	REV.	REVISIONS	REC.
1	CANCEL (L); UPDATE DRAWING				

DRAWN & DRAFTED BY TSUNG TUAN	TOLERANCES		ANGLE: ±1°	TITLE: T-H BOBBIN EE-16	
	0<L≤4 ±0.1	pin pitch ±0.2	UNIT: MM	BOBBIN MATERIAL: PHENOLIC PM9820	UL REC. UL 94V-0
CHECKED & APPROVED BY CHIN TE	4<L≤16 ±0.2		ORIGIN: DG	PIN MATERIAL: CP WIRE	PIN TENSION LOAD: 1.5KG MIN
<b>PIN SHINE INDUSTRIAL CO.,LTD.</b> TEL:886-2-22990545      FAX:886-2-22990546			DATE: APR.01 '2003	DRAWING NO. P-1623	REV. 1