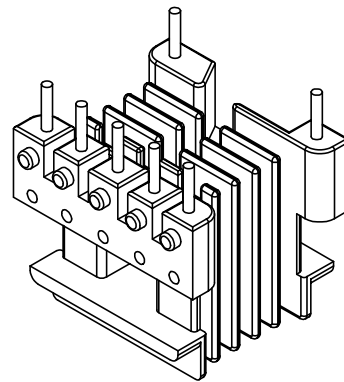
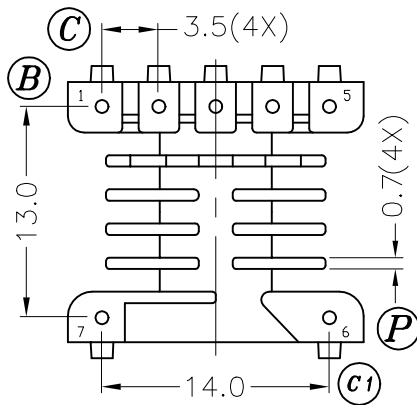
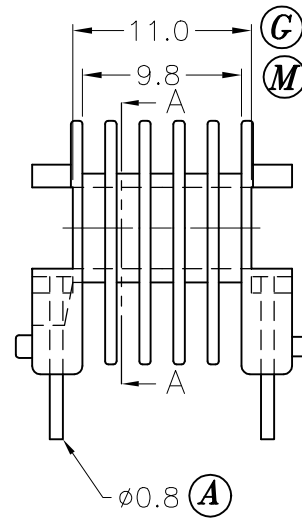
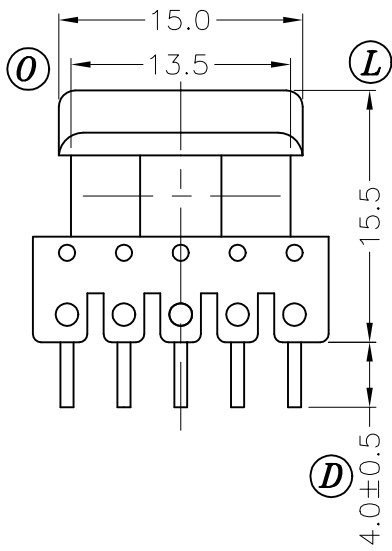


SEC. A-A



REV.	REVISIONS	REC.	REV.	REVISIONS	REC.
1	(O):13.2-> 15.0, (N):14.9->15.0				
2	CANCEL (I),(N).				

DRAWN & DRAFTED BY DENG SHENGBIN	TOLERANCES		ANGLE:	TITLE:	
	0<L≤4 ±0.1	pin pitch ±0.2	±1°	T-H BOBBIN EE-19H (5 SEC)	
CHECKED & APPROVED BY ZHONG YU	4<L≤16 ±0.2		UNIT:	BOBBIN MATERIAL:	UL REC.
	16<L≤63 ±0.3	MM	PET FR530	UL 94V-0	
<b>PIN SHINE INDUSTRIAL CO.,LTD.</b> TEL:886-2-22990545      FAX:886-2-22990546			ORIGIN:	PIN MATERIAL:	PIN TENSION LOAD:
			DG	CP WIRE	1.5KG MIN
			DATE:	DRAWING NO.	REV.
			APR.01 '2003	P-1903	1