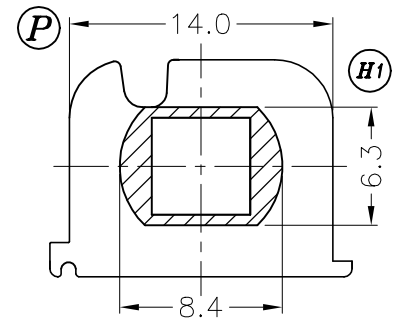
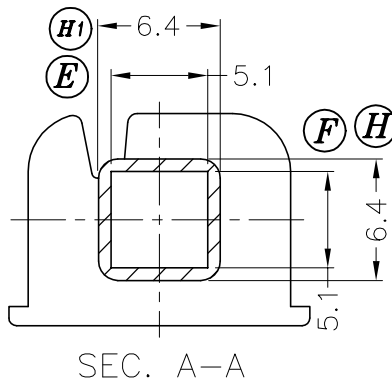
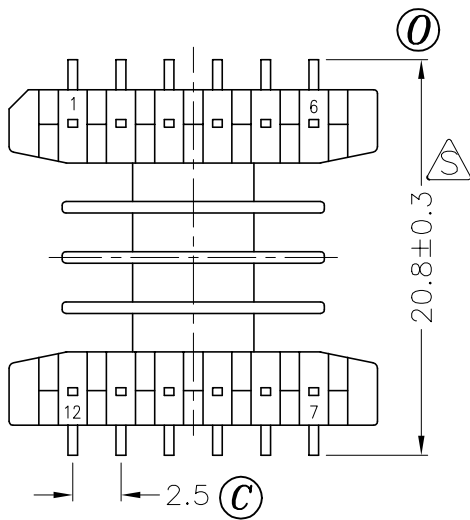
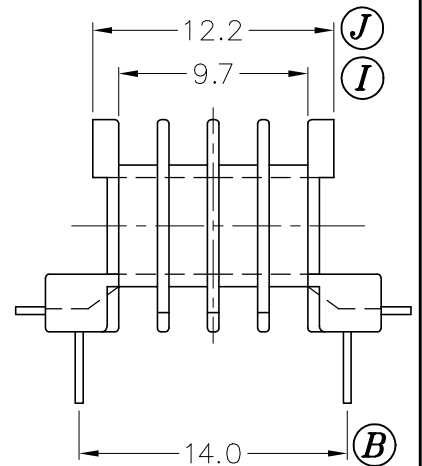


DRAWING NO.	MATERIAL:	ORIGIN:
P-1911-1	LCP E4008	DG



REV.	REVISIONS	REC.	REV.	REVISIONS	REC.
1	△S: SHAPE MODIFY, (B):14.2→13.9				
2	(P): ADD A DIMENSION				
3	CANCEL (J),(L).				

DRAWN & DRAFTED BY DENG SHENGBIN	TOLERANCES		ANGLE:	TITLE:	
	0<L≤4 ±0.1	pin pitch ±0.2	±1°	L TYPE BOBBIN EE-19 (4 SEC)	
CHECKED & APPROVED BY CHIN TE	4<L≤16 ±0.2		UNIT:	BOBBIN MATERIAL:	UL REC.
	16<L≤63 ±0.3	MM	LCP 6130L	UL 94V-0	
<b>PIN SHINE INDUSTRIAL CO., LTD.</b> TEL:886-2-22990545 FAX:886-2-22990546		ORIGIN:	PIN MATERIAL:	PIN TENSION LOAD:	
		DG	PHOSPHOR BRONZE	1.5KG MIN.	
			DATE:	DRAWING NO.	REV.
			APR.01 '2003	P-1911	3