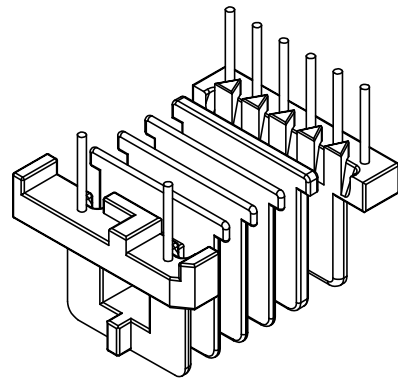
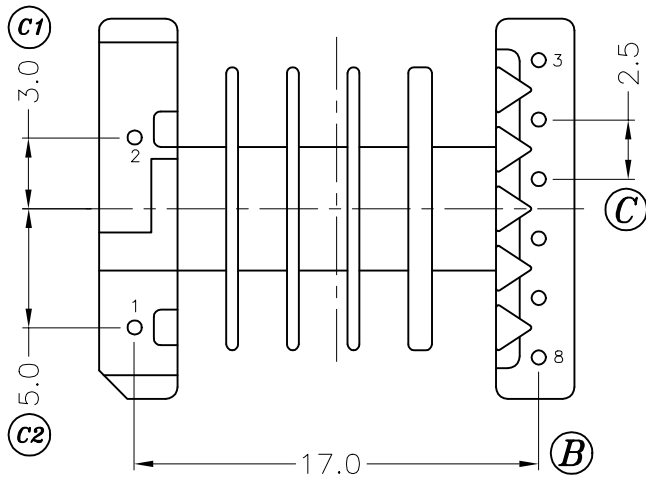


SEC. A-A



REV.	REVISIONS	REC.	REV.	REVISIONS	REC.
1	(E):5.2-→5.4 (H):6.1-→6.2				
2	CANCEL (P),(Q); UPDATE DRAWING				

DRAWN & DRAFTED BY WU FANG	TOLERANCES		ANGLE:	TITLE:	
	0<L≤4 ±0.1	pin pitch ±0.2	±1°	T-H BOBBIN EEL-16 (5 SEC)	
CHECKED & APPROVED BY TIAN BAI SEN	4<L≤16 ±0.2		UNIT:	BOBBIN MATERIAL:	UL REC.
	16<L≤63 ±0.3		MM	PHENOLIC PM9630	UL 94V-0
PIN SHINE INDUSTRIAL CO., LTD. TEL:886-2-22990545 FAX:886-2-22990546			ORIGIN:	PIN MATERIAL:	PIN TENSION LOAD:
			SZ	CP WIRE	1.5KG MIN
			DATE:	DRAWING NO.	REV.
			APR.01 '2003	P-1634	2