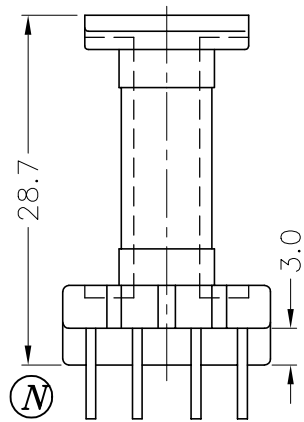
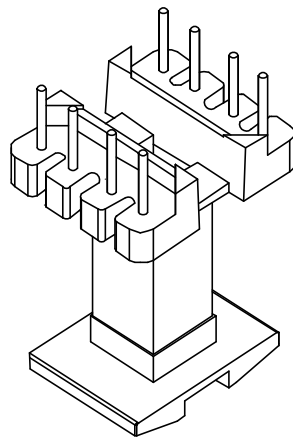
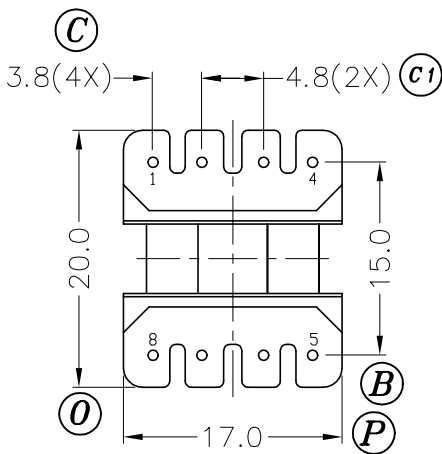
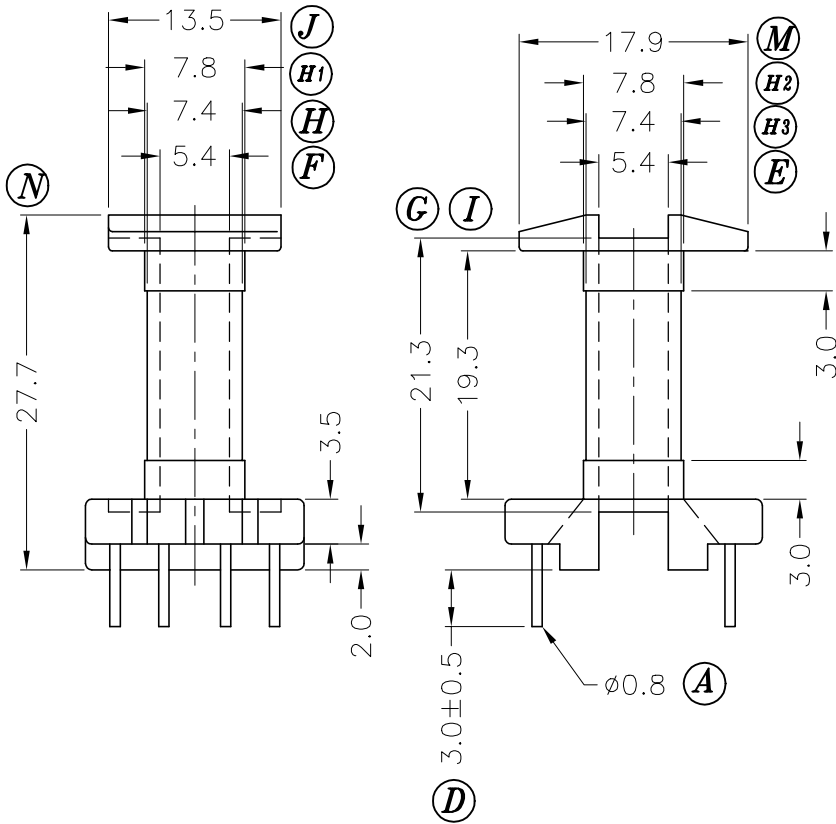
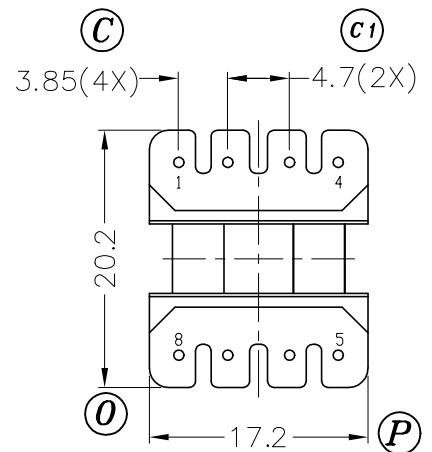
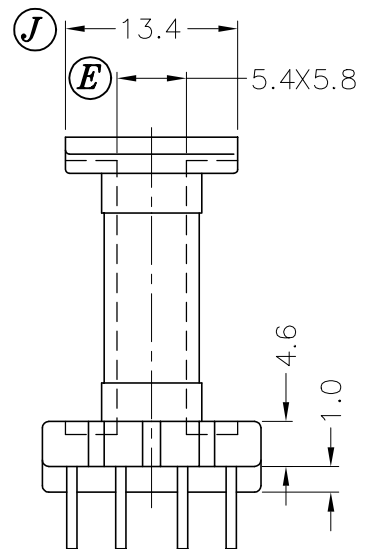




DRAWING NO.	MATERIAL:	ORIGIN:
P-1905-2	PHENOLIC T375J	DG



DRAWING NO.	MATERIAL:	ORIGIN:
P-1905-1	PHENOLIC T375J	DG



REV.	REVISIONS	REC.	REV.	REVISIONS	REC.
1	(F):5.3->5.4 (J):13.4->13.5 (M):17.8->17.9				
2	CANCEL (L),(K),(I1),(I2).				

DRAWN & DRAFTED BY WNCH HSIANG	TOLERANCES		ANGLE:	TITLE:	
	0<L≤4 ±0.1	pin pitch ±0.2	±1°	T-H BOBBIN EEL-19	
CHECKED & APPROVED BY CHIN TE	4<L≤16 ±0.2		UNIT:	BOBBIN MATERIAL:	UL REC.
	16<L≤63 ±0.3	MM	PHENOLIC T375J	UL 94V-0	
 <b>PIN SHINE INDUSTRIAL CO.,LTD.</b> TEL:886-2-22990545      FAX:886-2-22990546	ORIGIN:	DG	PIN MATERIAL:	CP WIRE	PIN TENSION LOAD: 1.5KG MIN.
			DATE:	APR.01 '2003	DRAWING NO.
				P-1905	REV. 2