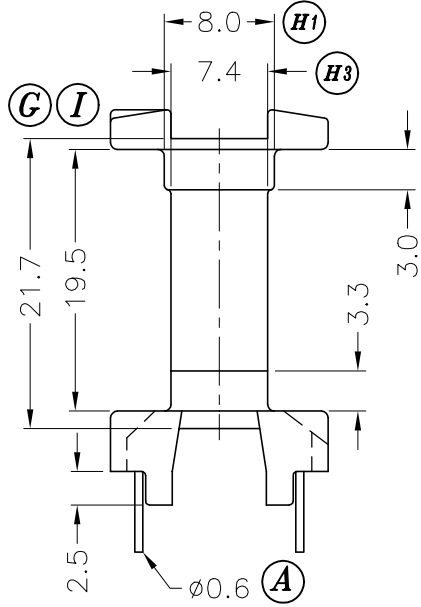
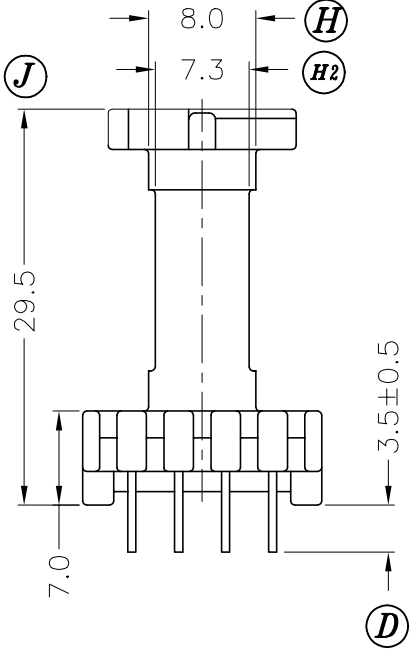
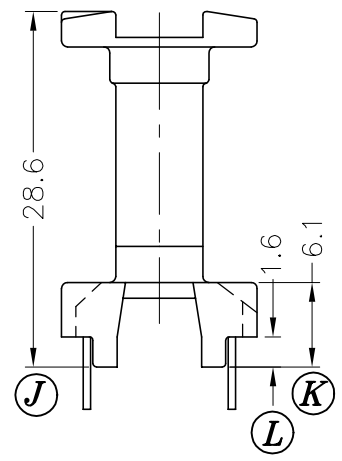
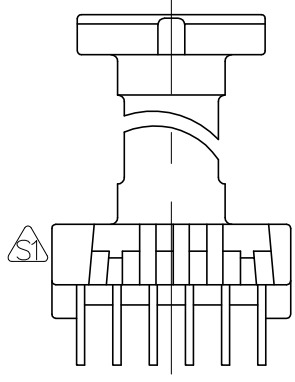
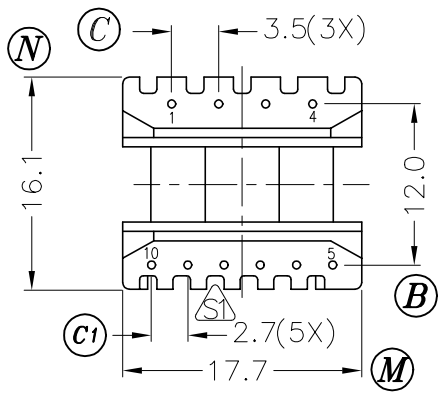
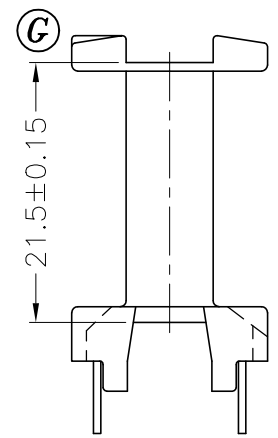


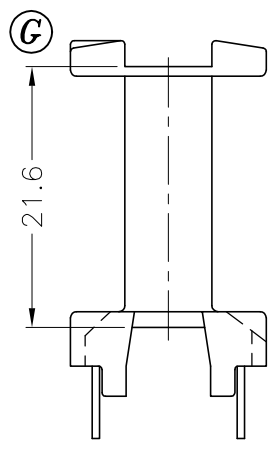
DRAWING NO.	MATERIAL:	ORIGIN:
P-1915-3	PHENOLIC T375J	DG



DRAWING NO.	MATERIAL:	ORIGIN:
P-1915-2	PHENOLIC T375J	DG



DRAWING NO.	MATERIAL:	ORIGIN:
P-1915-1	PHENOLIC T375J	DG



REV.	REVISIONS	REC.	REV.	REVISIONS	REC.
1	(I2): 3.2->3.3		4	: SHAPE MODIFIED	
2	(H2): 7.1->7.3 (H3): 7.2->7.4		5	CANCEL (K),(L),(I1),(I2).	
3	(P): 13.9->13.6				

DRAWN & DRAFTED BY RONG HONGJUN	TOLERANCES		ANGLE:	TITLE:		
	0<L≤4 ±0.1	pin pitch ±0.2	±1°	T-H BOBBIN EEL-19		
CHECKED & APPROVED BY ZHONG YU	4<L≤16 ±0.2		UNIT:	BOBBIN MATERIAL:	UL REC.	
	16<L≤63 ±0.3	MM	PHENOLIC T375J	UL 94V-0		
PIN SHINE INDUSTRIAL CO.,LTD. TEL:886-2-22990545 FAX:886-2-22990546			ORIGIN:	PIN MATERIAL:	PIN TENSION LOAD:	
			DG	CP WIRE	1.5KG MIN.	
			DATE:	DRAWING NO.	REV.	
			APR.01 '2003	P-1915	5	