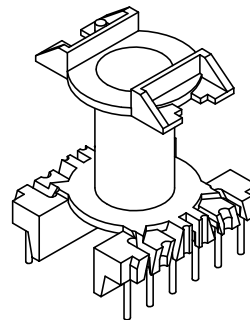
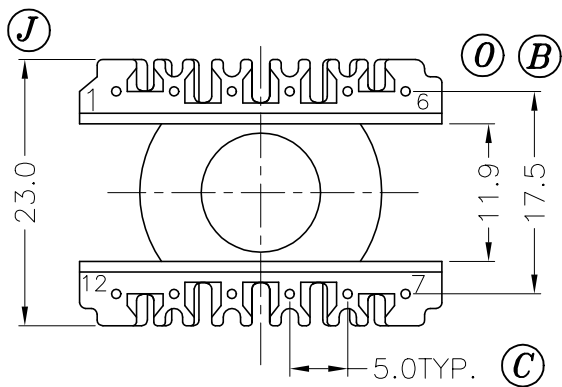
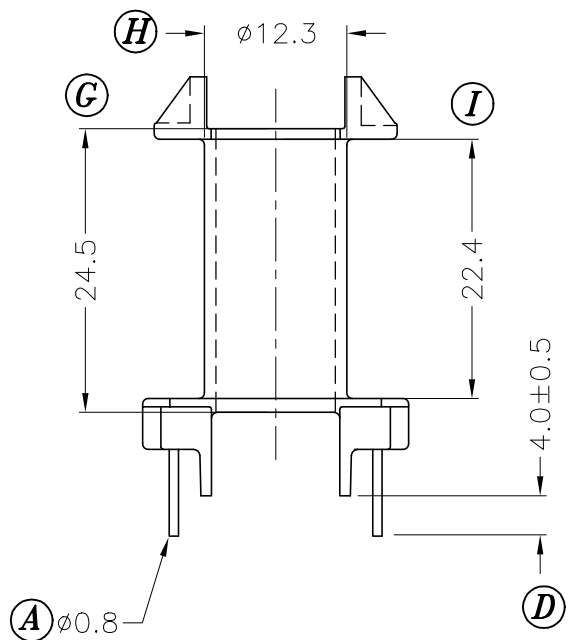
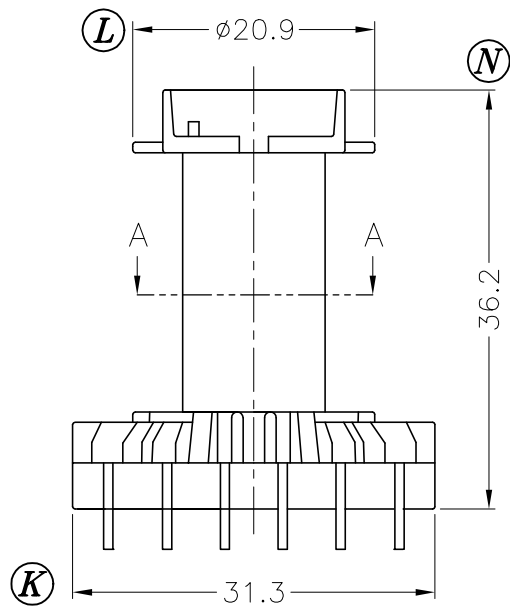


SEC.A-A



REV.	REVISIONS	REC.	REV.	REVISIONS	REC.
1	CANCEL (Q),(R); UPDATE DRAEING				

DRAWN & DRAFTED BY DENG SHENGBIN	TOLERANCES		ANGLE:	TITLE:	
	0<L≤4 ±0.1	pin pitch ±0.2	±1°	T-H BOBBIN EER-28L	
CHECKED & APPROVED BY ZHONG YU	4<L≤16 ±0.2		UNIT:	BOBBIN MATERIAL:	UL REC.
	16<L≤63 ±0.3		MM	PHENOLIC PM9820	UL 94V-0
PIN SHINE INDUSTRIAL CO.,LTD. TEL:886-2-22990545 FAX:886-2-22990546			ORIGIN:	PIN MATERIAL:	PIN TENSION LOAD:
			DG	CP WIRE	2.0KG MIN
			DATE:	DRAWING NO.	REV.
			APR.08 '2003	P-2821	1