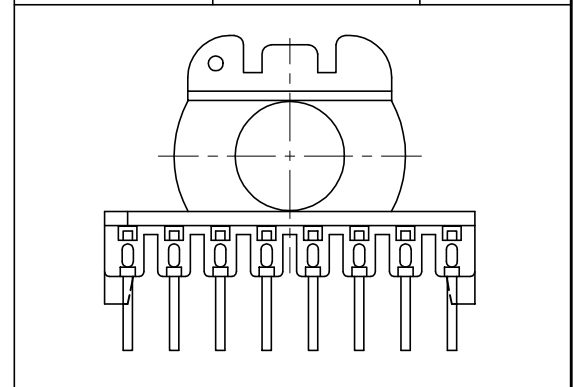


DRAWING NO:	MATERIAL:	ORIGIN:
P-3508-1	PET FR530	DG



REV.	REVISIONS	REC.	REV.	REVISIONS	REC.
2	(E)12.0→11.8				
3	(B):CHANGE TO 35.0±0.2/35.0±0.3				
4	CANCEL (N),(O); UPDATE DRAWING				

DRAWN & DRAFTED BY WNCH HSIANG	TOLERANCES		ANGLE:	TITLE:	
	0<L≤4 ±0.1	pin pitch ±0.2	±1°	T-H BOBBIN EER-35H	
CHECKED & APPROVED BY CHIN TE	4<L≤16 ±0.2		UNIT:	BOBBIN MATERIAL:	UL REC.
	16<L≤63 ±0.3		MM	PHENOLIC T375J	UL 94V-0
PIN SHINE INDUSTRIAL CO., LTD. TEL:886-2-22990545 FAX:886-2-22990546			ORIGIN:	PIN MATERIAL:	PIN TENSION LOAD:
			DG SZ	CP WIRE	2.0KG MIN
			DATE:	DRAWING NO.	REV.
			APR.09 '2003	P-3508	4