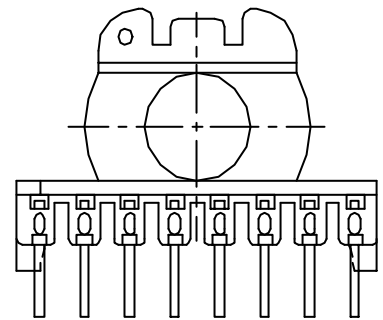


DRAWING NO:	MATERIAL:	ORIGIN:
P-3508-1	PET FR530	DG



REV.	REVISIONS	REC.	REV.	REVISIONS	REC.
2	(E)12.0->11.8				
3	(B):CHANGE TO 35.0±0.2/35.0±0.3				
4	CANCEL (N),(O); UPDATE DRAWING				

DRAWN & DRAFTED BY WNCH HSIANG	TOLERANCES		ANGLE: ±1°	TITLE: T-H BOBBIN EER-35H	
	0<L≤4 ±0.1	pin pitch ±0.2	UNIT: MM	BOBBIN MATERIAL: PHENOLIC T375J	UL REC. UL 94V-0
CHECKED & APPROVED BY CHIN TE	4<L≤16 ±0.2	16<L≤63 ±0.3	ORIGIN: DG SZ TH	PIN MATERIAL: CP WIRE	PIN TENSION LOAD: 2.0KG MIN
PIN SHINE INDUSTRIAL CO., LTD. TEL:886-2-22990545 FAX:886-2-22990546			DATE: APR.09 '2003	DRAWING NO. P-3508	REV. 4