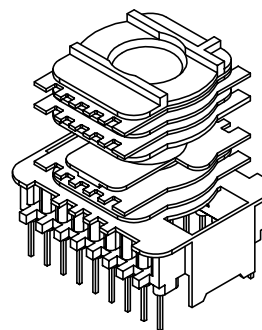
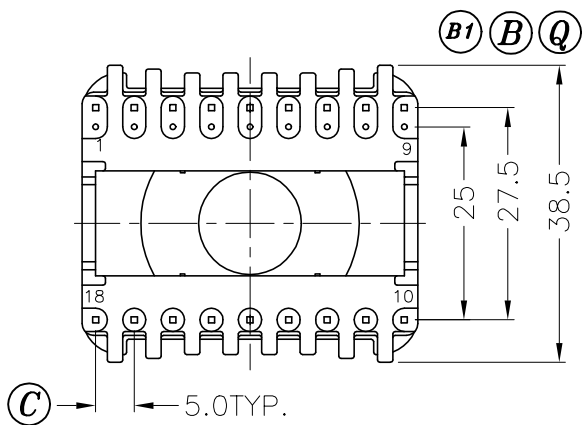
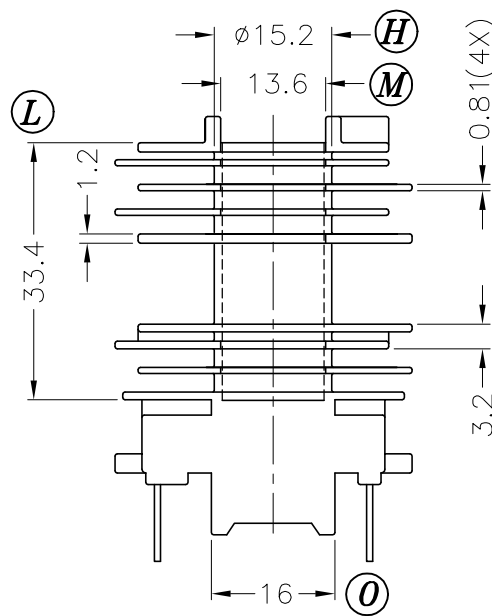
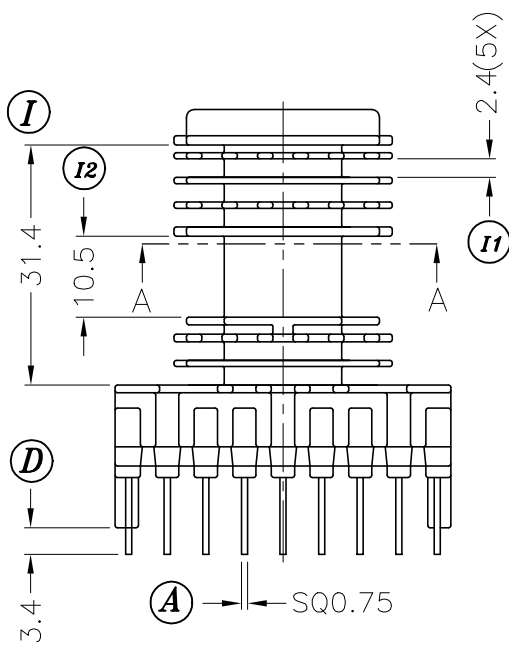




SEC. A-A



REV.	REVISIONS	REC.	REV.	REVISIONS	REC.
1	UPDATE DRAWING.				
2	CANCEL (G),(P),(N), ADD (I2); UPDATE DRAWING				

DRAWN & DRAFTED BY ZHONG SHENG	TOLERANCES		ANGLE: ±1°	TITLE: T-H BOBBIN EER-39S (8 SEC)	
	0<L≤4 ±0.1	pin pitch ±0.2	UNIT: MM	BOBBIN MATERIAL: PET CN3030	UL REC. UL 94V-0
CHECKED & APPROVED BY JOHN RONG	4<L≤16 ±0.2		ORIGIN: DG	PIN MATERIAL: CP WIRE	PIN TENSION LOAD: 2.0KG MIN.
 <b>PIN SHINE INDUSTRIAL CO.,LTD.</b> TEL:886-2-22990545      FAX:886-2-22990546			DATE: APR.10 '2003	DRAWING NO. P-3908	REV. 2