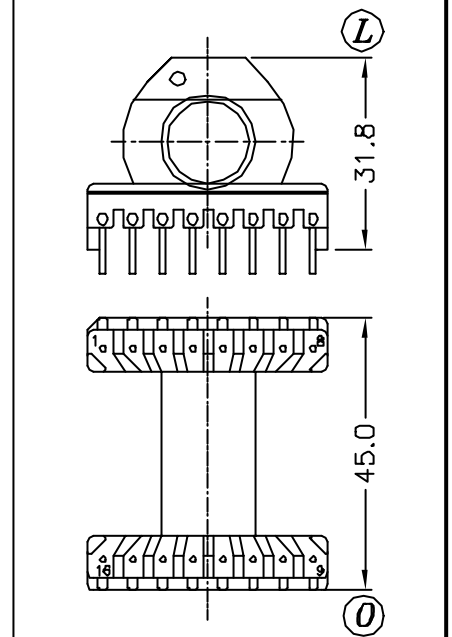


DRAWING NO.	MATERIAL:	ORIGIN:
P-4005-1	PHENOLIC T375J	TH



REV.	REVISIONS	REC.	REV.	REVISIONS	REC.
1	(G)30.0 <sup>+0.0</sup> / <sub>-0.1</sub> → 30.0 (N):41.2 → 41.5 (O):44.0 → 44.3				
2	CANCEL (J),(K); UPDATE DRAWING				

DRAWN & DRAFTED BY ZHONG YU	TOLERANCES		ANGLE:	TITLE:	
	0 < L ≤ 4 ±0.1	pin pitch ±0.2	±1°	T-H BOBBIN EER-40	
CHECKED & APPROVED BY CHIN TE	4 < L ≤ 16 ±0.2		UNIT:	BOBBIN MATERIAL:	UL REC.
	16 < L ≤ 63 ±0.3		MM	PHENOLIC T375J	UL 94V-0
<b>PIN SHINE INDUSTRIAL CO.,LTD.</b> TEL:886-2-22990545 FAX:886-2-22990546			ORIGIN:	PIN MATERIAL:	PIN TENSION LOAD:
			DG SZ	CP WIRE	2.0KG MIN
			DATE:	DRAWING NO.	REV.
			APR.10 '2003	P-4005	2